

## Installation Instructions

1. Please read through all steps of these instructions prior to installation.
2. Consult your vehicle Owner's Manual for instructions on how to lower your spare tire.
3. Lower spare tire until it is completely resting on the ground.
4. From under the vehicle, prop tire on an angle to allow access to the U-shaped retainer and factory cable beneath tire.
5. When tire is securely propped, separate Cylinder B (outer) from Cylinder A (inner).
6. Slide retainer (and factory washer if applicable) away from spring located at end of cable.
7. Hold Cylinder A so that rectangular opening is facing you. Place spring into opening, and place cable through slot at end of Cylinder A. See Fig. 1.
8. Hold Cylinder B so that slotted opening is facing away from you. See Fig. 2. Fit slot down over cable, and slide Cylinder B over Cylinder A. See Fig. 3.
9. Slide retainer (and factory washer if applicable) down cable toward spring. Allow the retainer to rest on The Spare Shield as shown in Fig. 4.
10. Raise spare tire and wheel, creating enough tension so that the spare tire and wheel, retainer, and The Spare Shield are tightly secured.

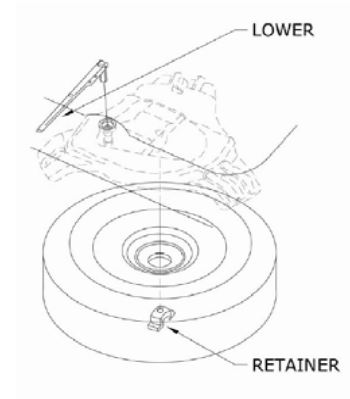


Fig.1



Fig. 2



Fig. 3



Fig. 4