

Subject: Fuel control wiring diagrams for trucks with 2001–06 Duramax diesel engines

Source: General Motors service manuals

Use the table below to locate the wiring diagram for the vehicle being tested:



NOTE:

Terminal, ground, splice, and connector numbers may differ.

Table G179-1 Truck

YEAR	5th VIN	8th VIN	GO TO
2000	C, K	1	Figure G179-1
2001	C, K	1	Figure G179-1
2002	C, K	1	Figure G179-2
2003	C, K	1	Figure G179-3
2004	C, K	1, 2	Figure G179-4
2005	C, K	2	Figure G179-4
2006	C, K	D	Figure G179-5
	G, H	2	Figure G179-6

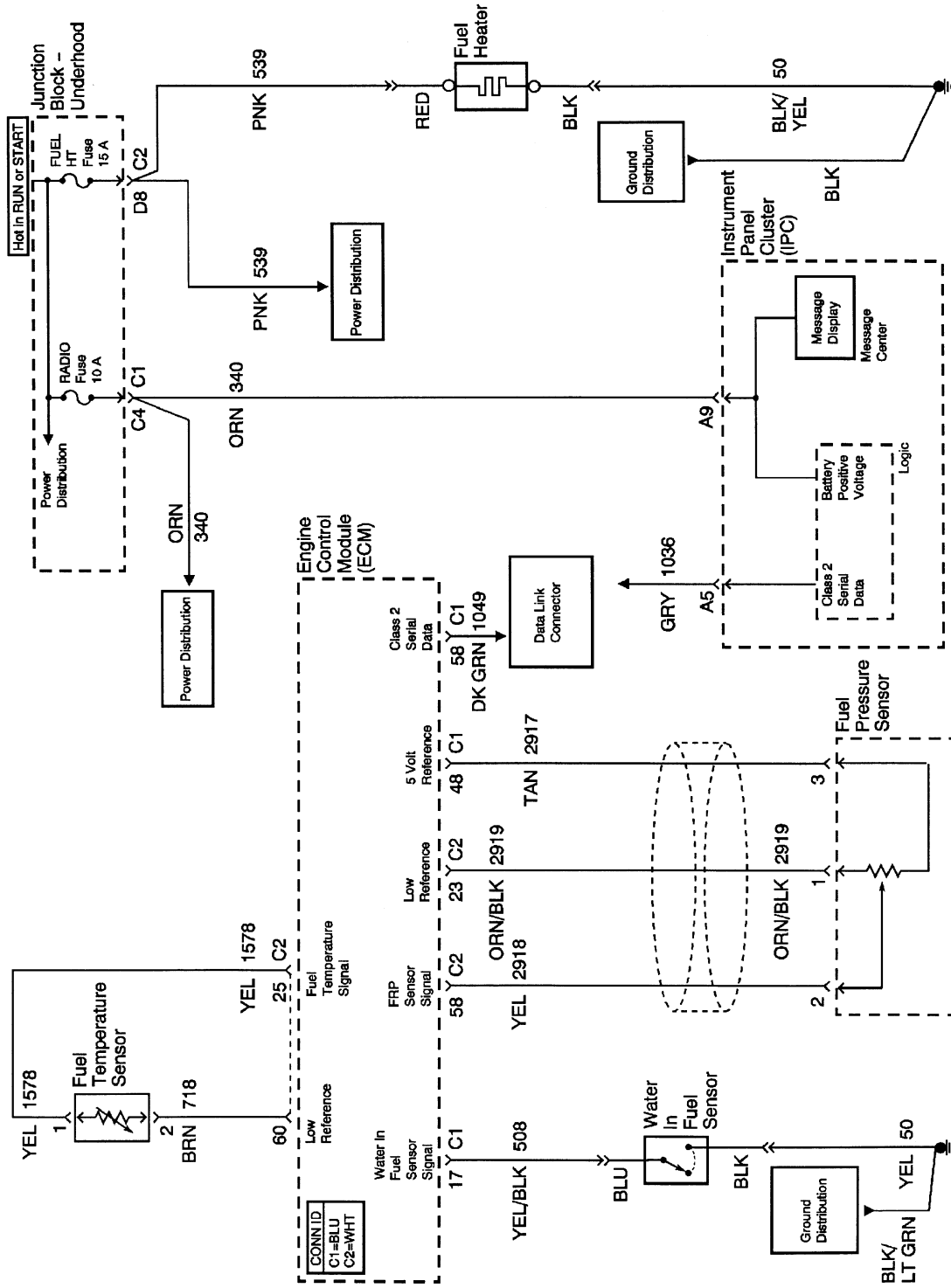


Figure G179-1 See table for applications (sheet 1 of 3)

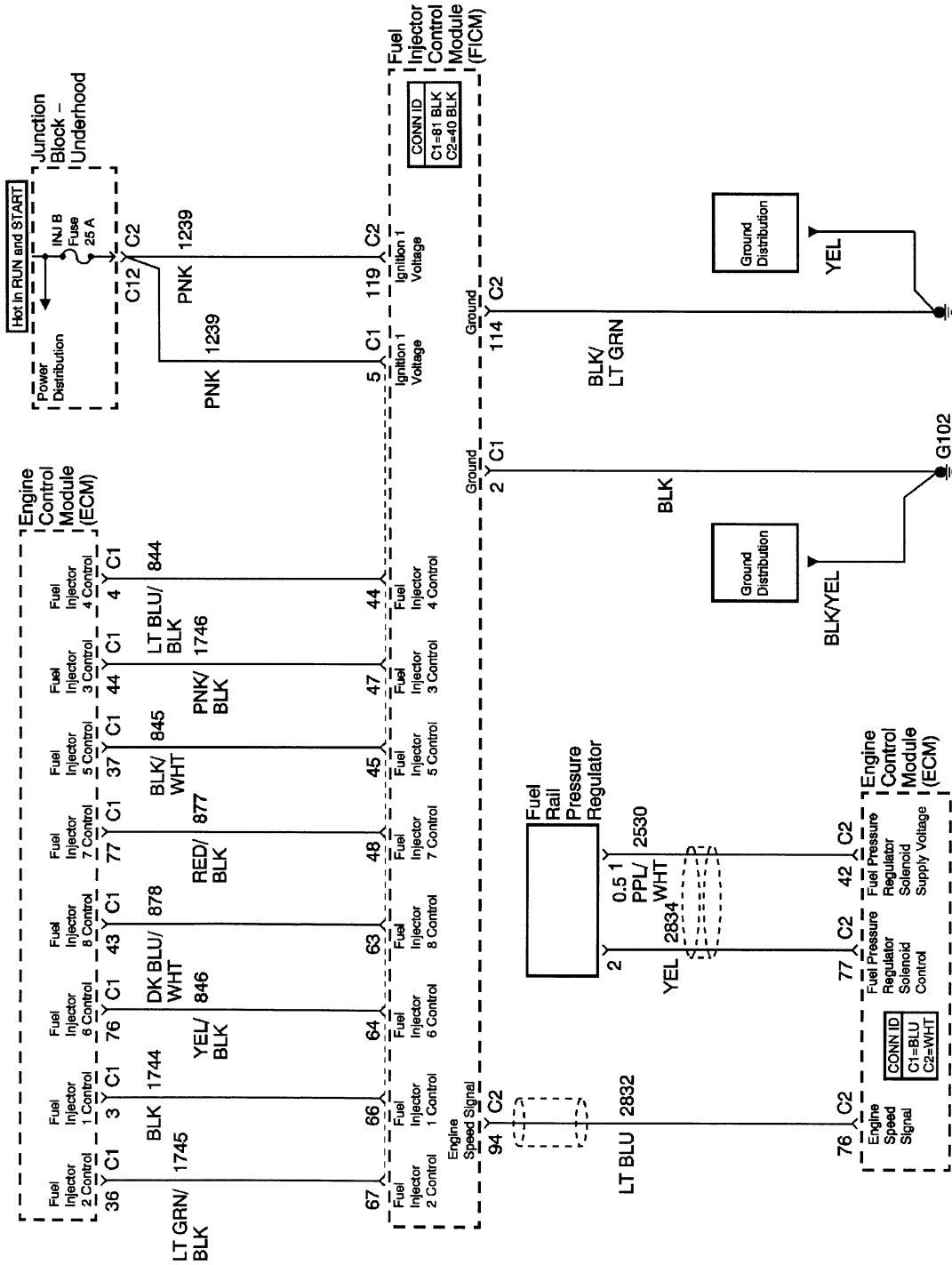


Figure G179-1 See table for applications (sheet 2 of 3)

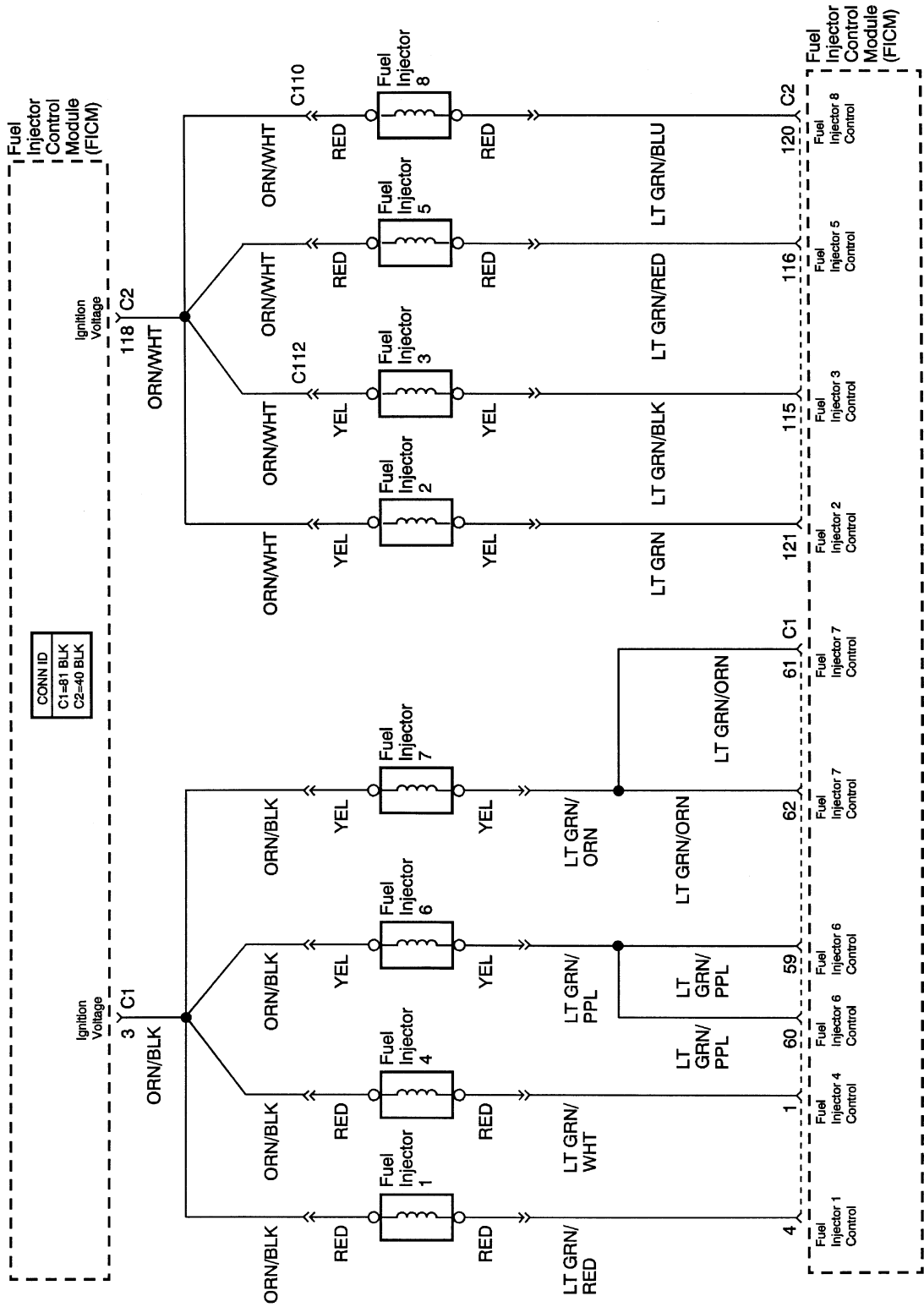


Figure G179-1 See table for applications (sheet 3 of 3)

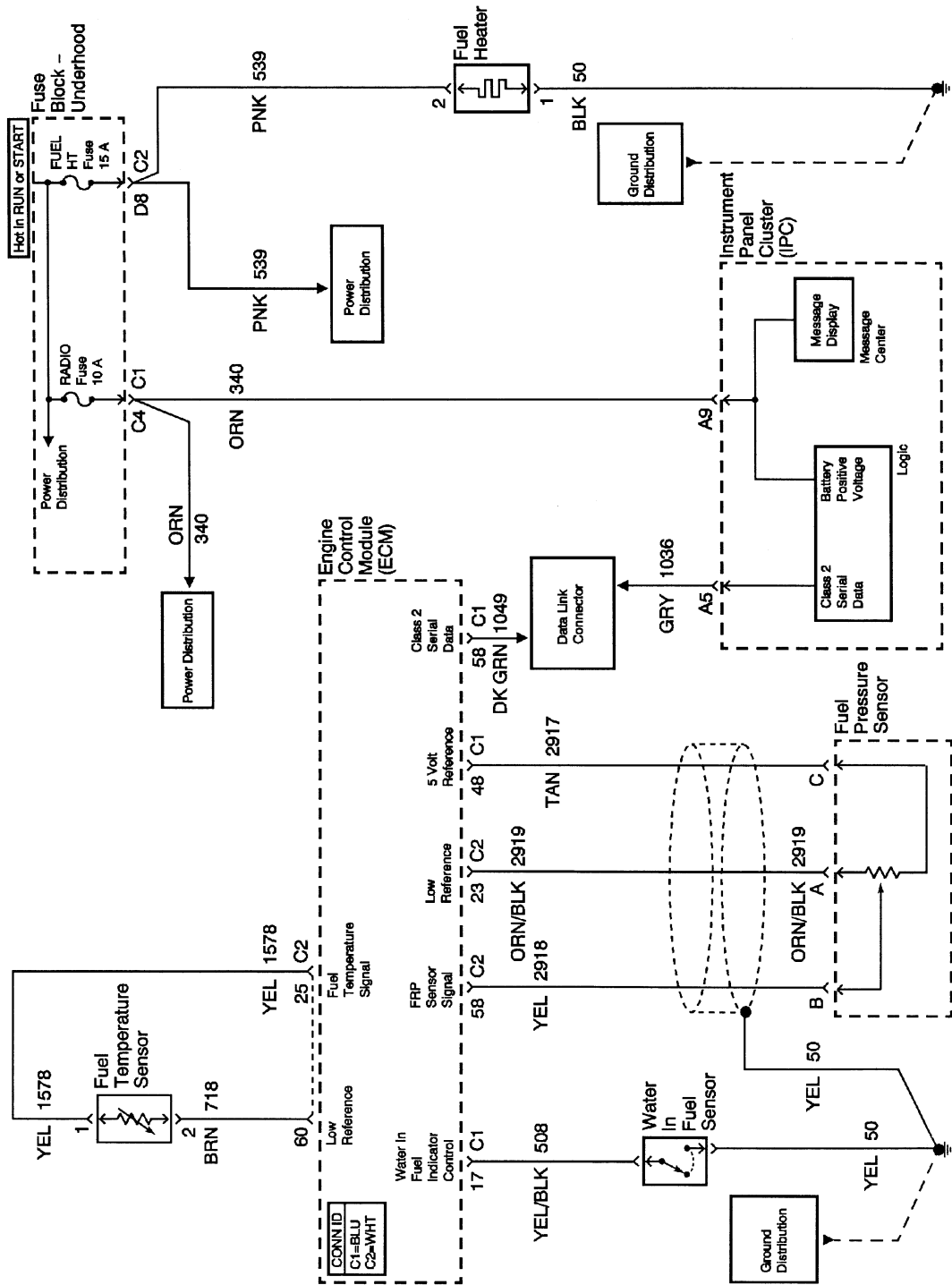


Figure G179-2 See table for applications (sheet 1 of 3)

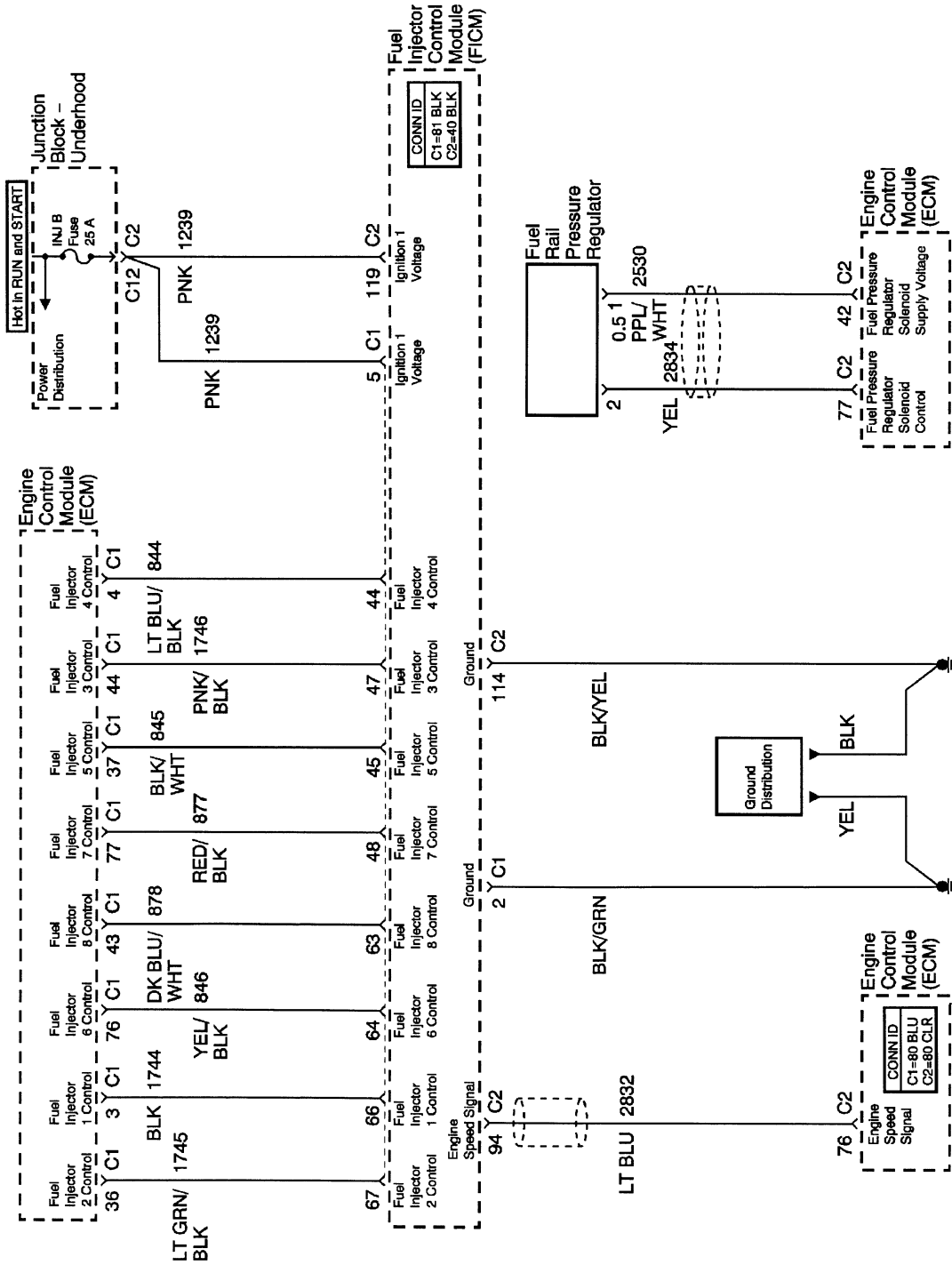


Figure G179-2 See table for applications (sheet 2 of 3)

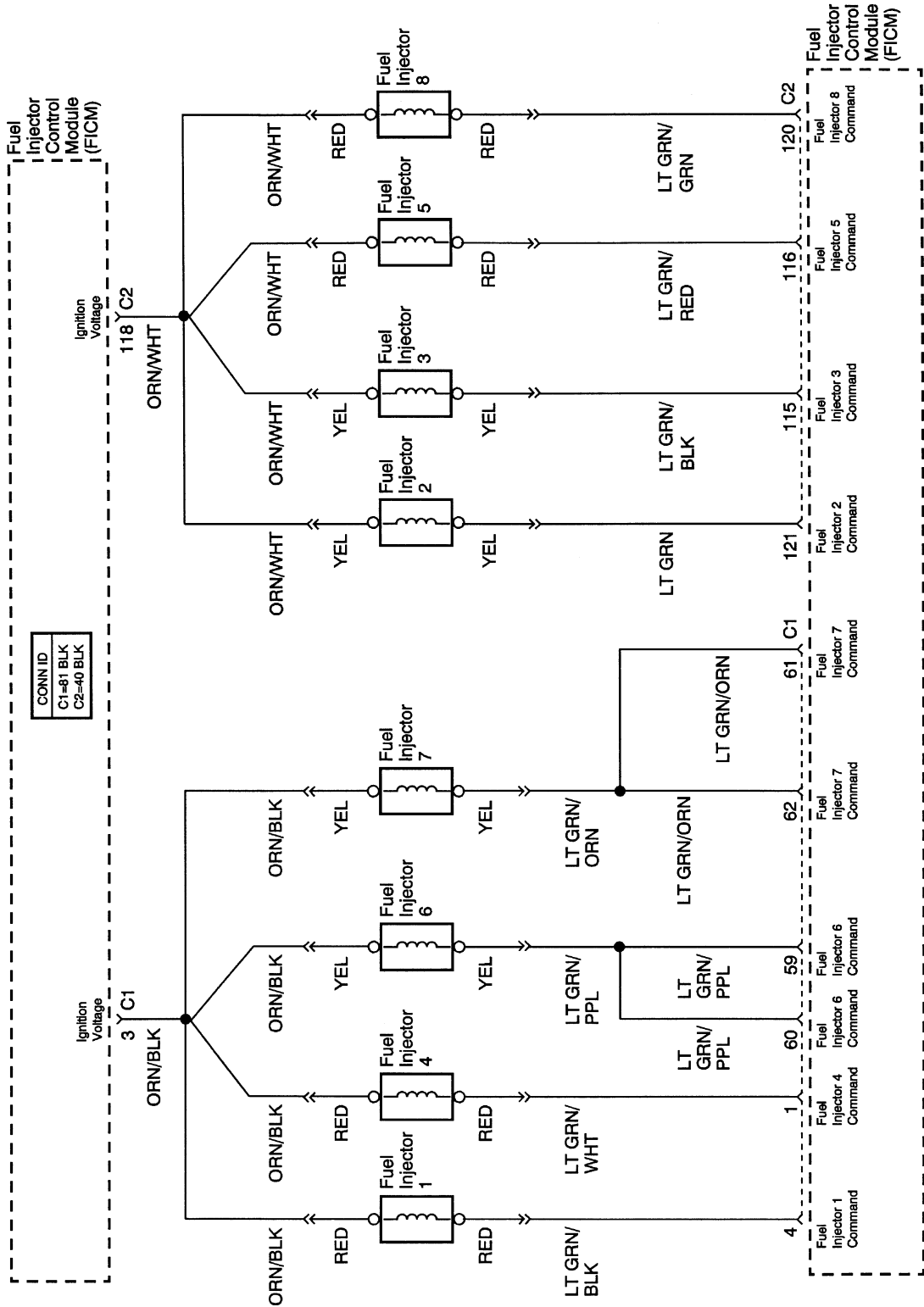


Figure G179-2 See table for applications (sheet 3 of 3)

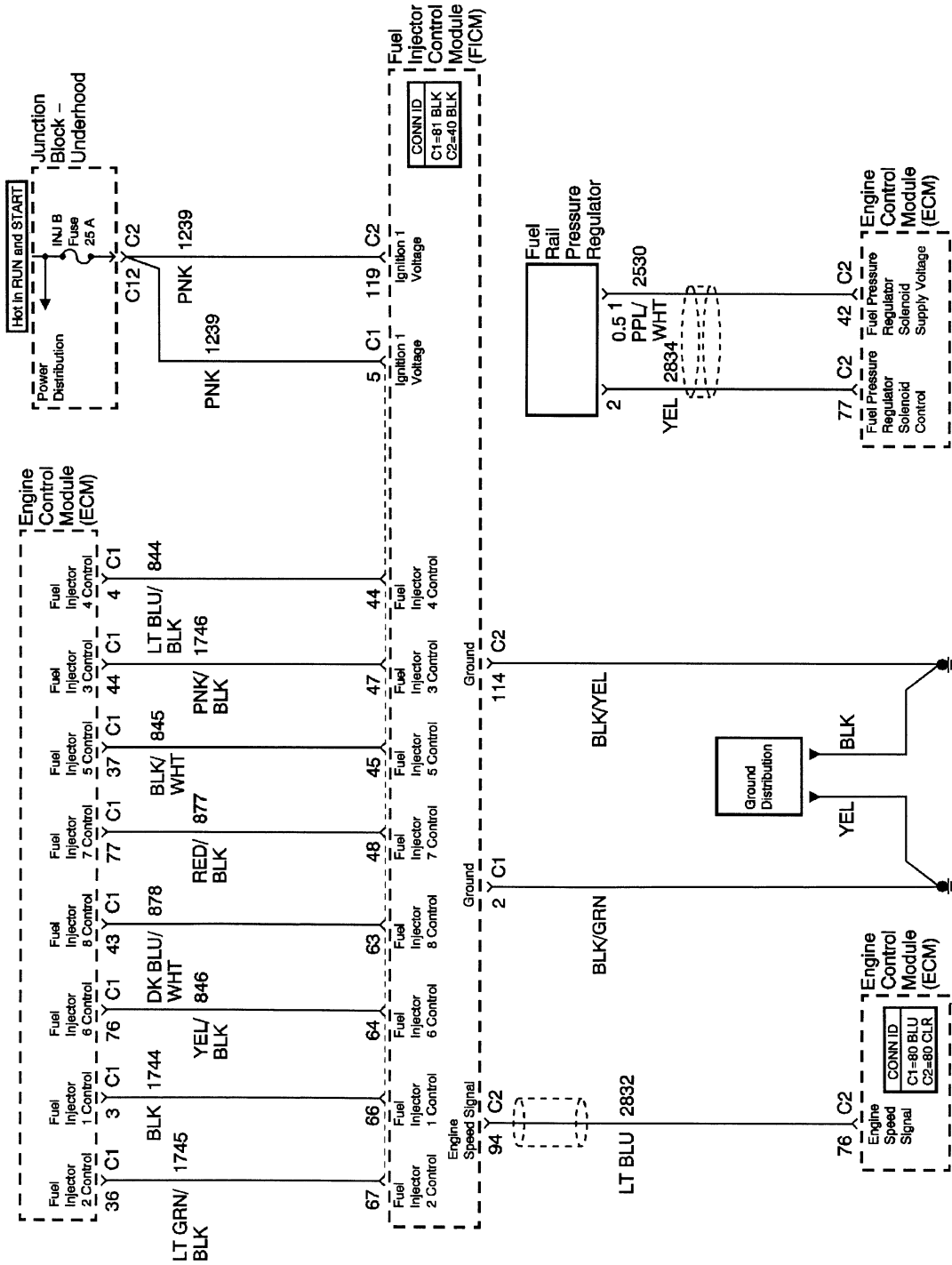


Figure G179-3 See table for applications (sheet 1 of 3)

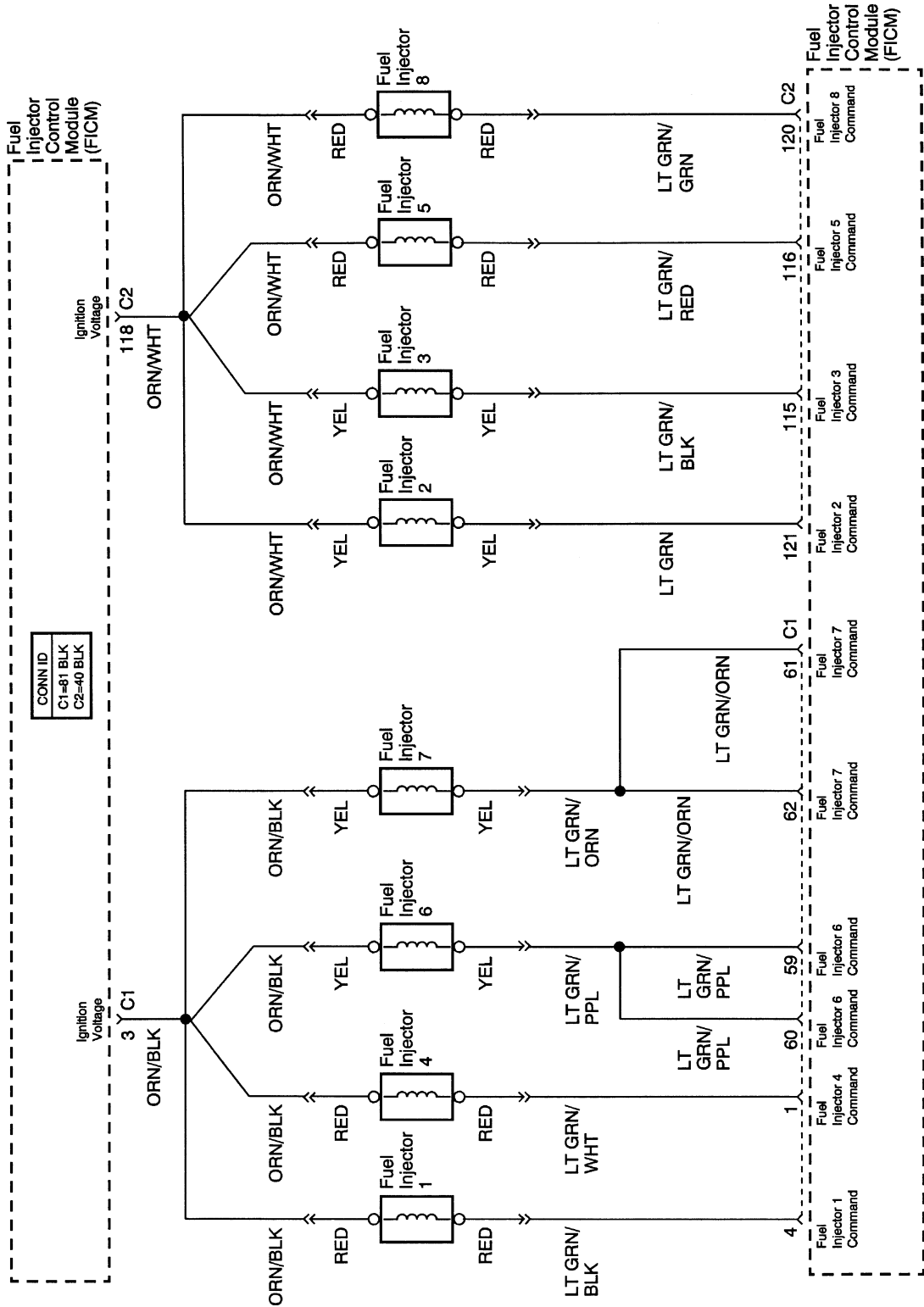


Figure G179-3 See table for applications (sheet 2 of 3)

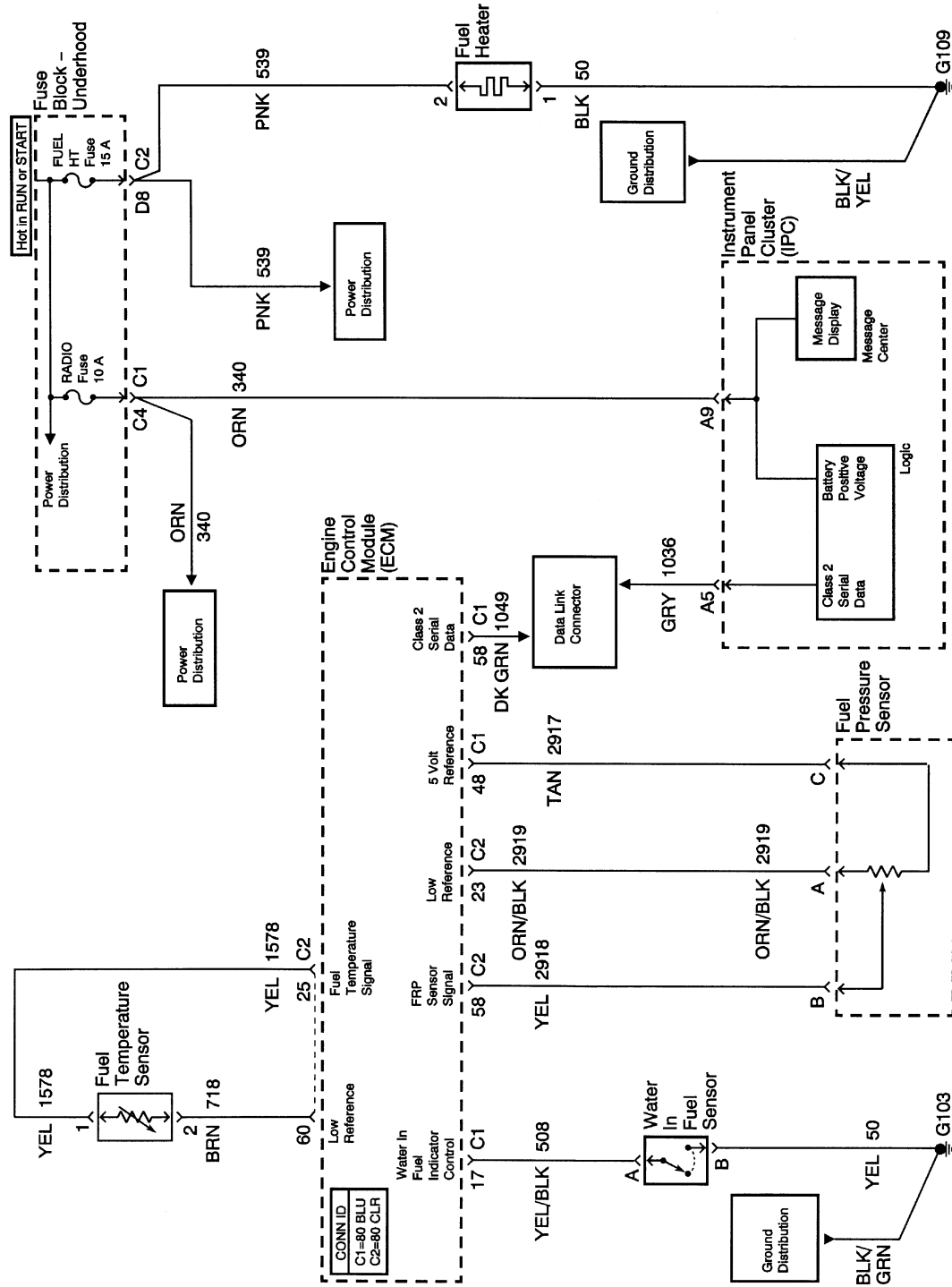


Figure G179-3 See table for applications (sheet 3 of 3)

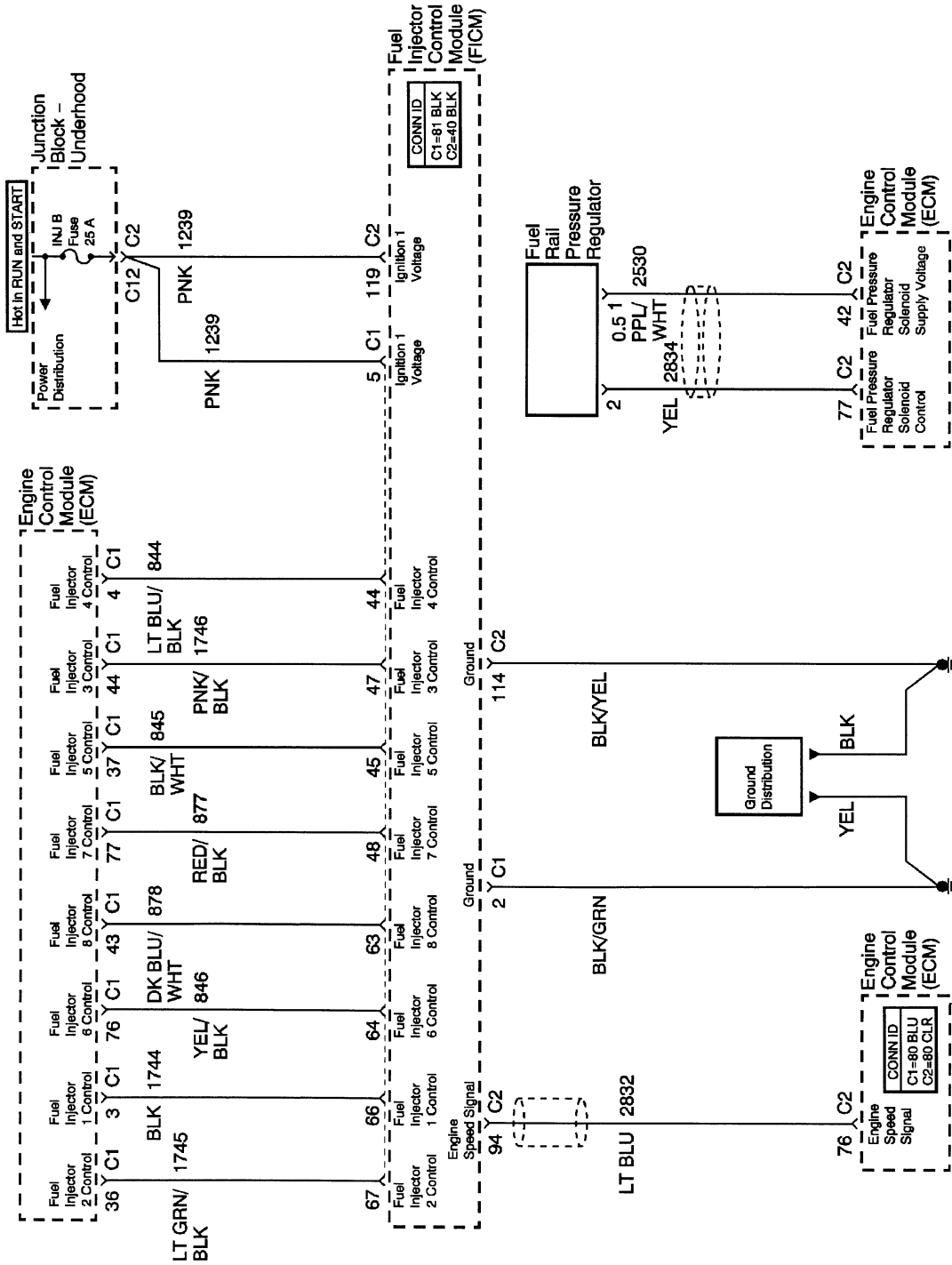


Figure G179-4 See table for applications (sheet 1 of 3)

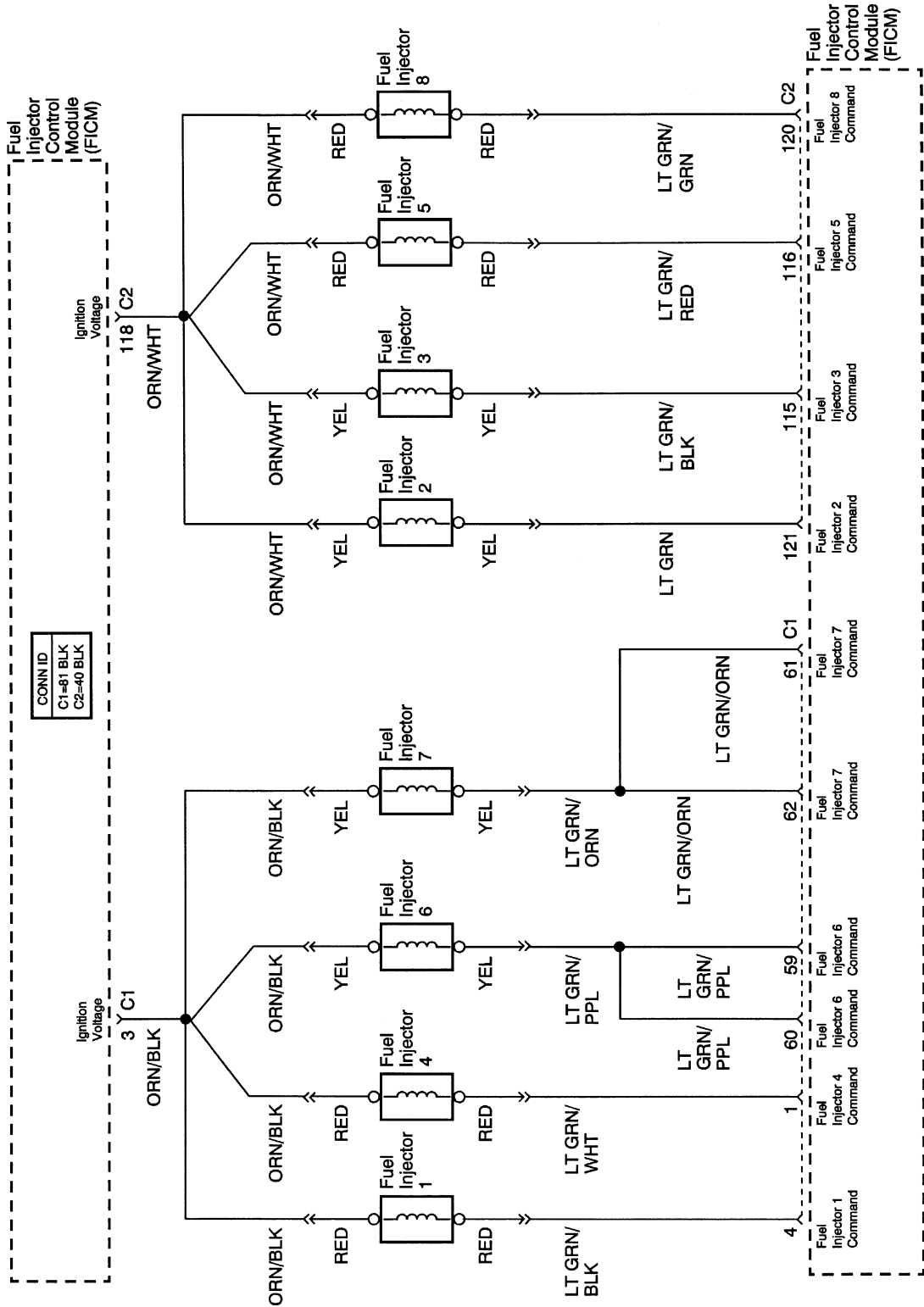


Figure G179-4 See table for applications (sheet 2 of 3)

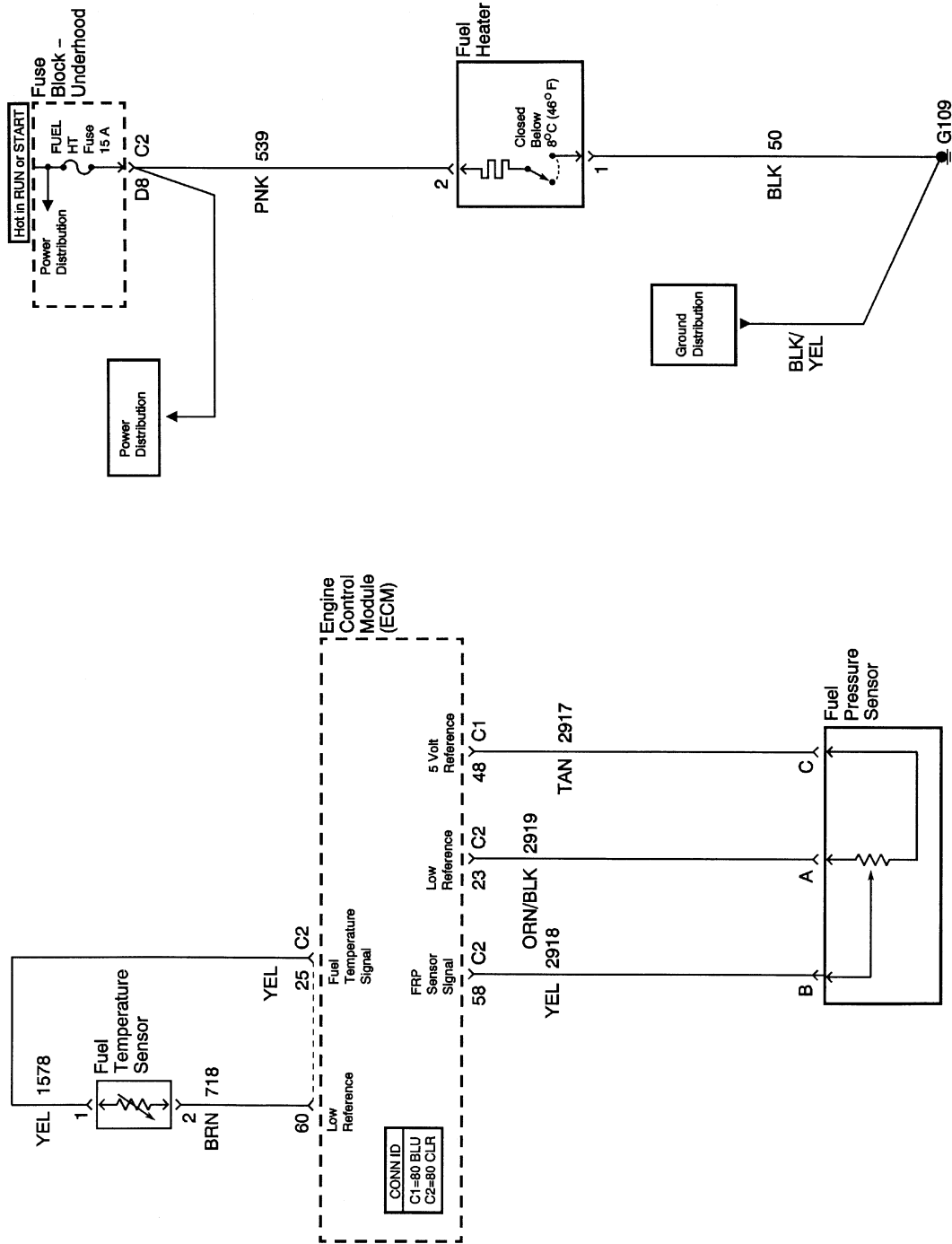


Figure G179-4 See table for applications (sheet 3 of 3)

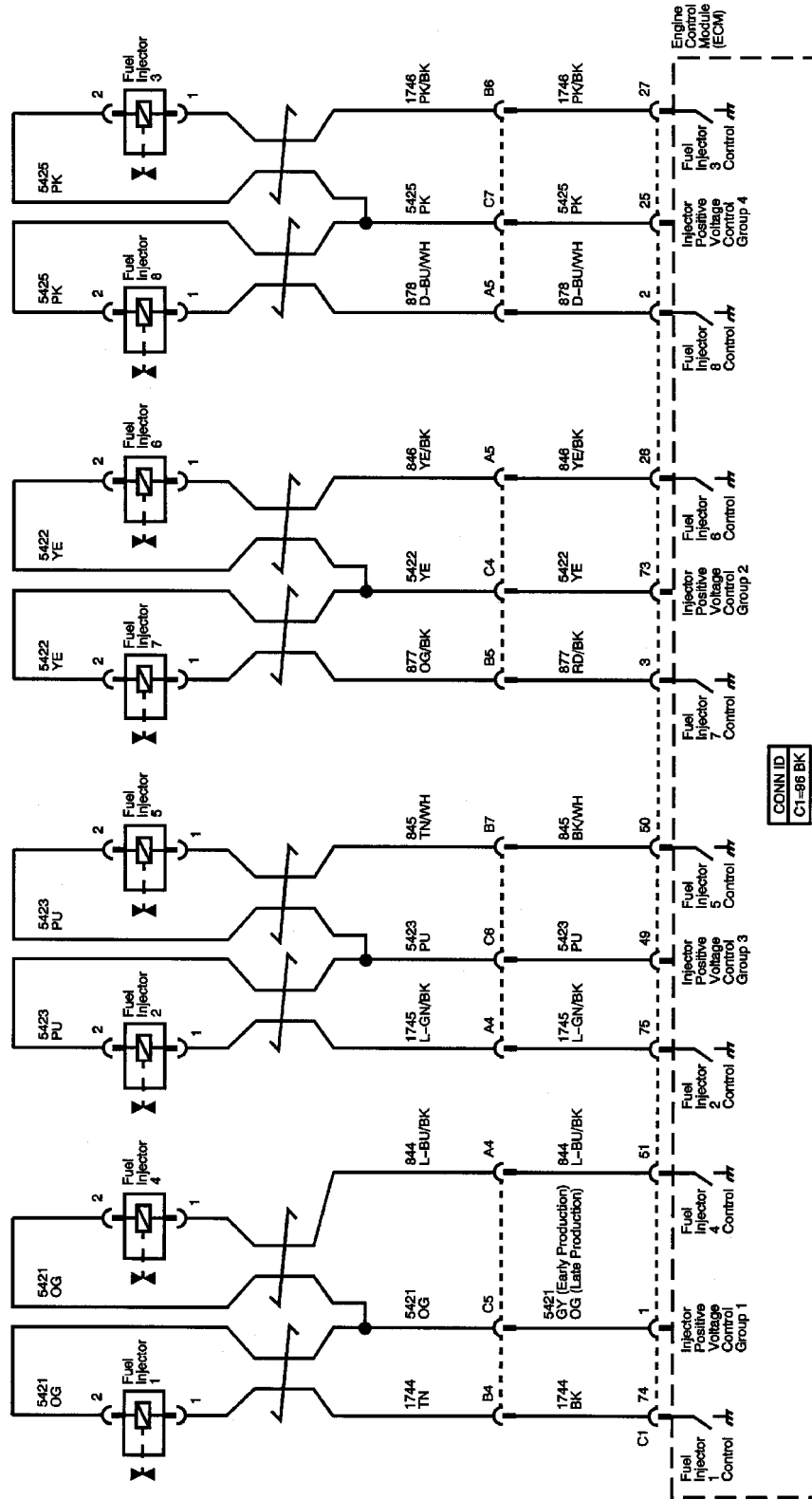


Figure G179-5 See table for applications (sheet 2 of 2)

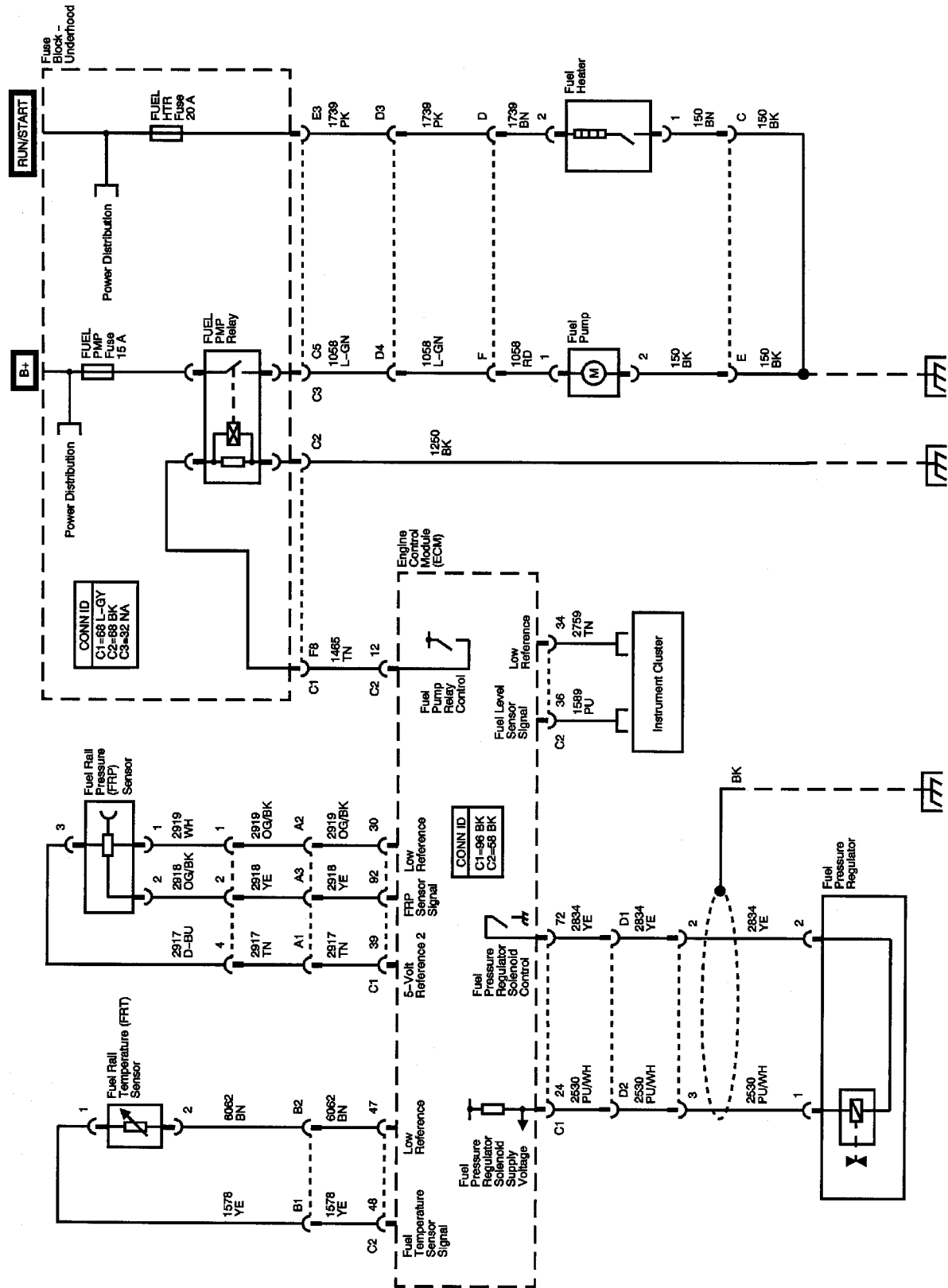


Figure G179-6 See table for applications (sheet 1 of 2)

