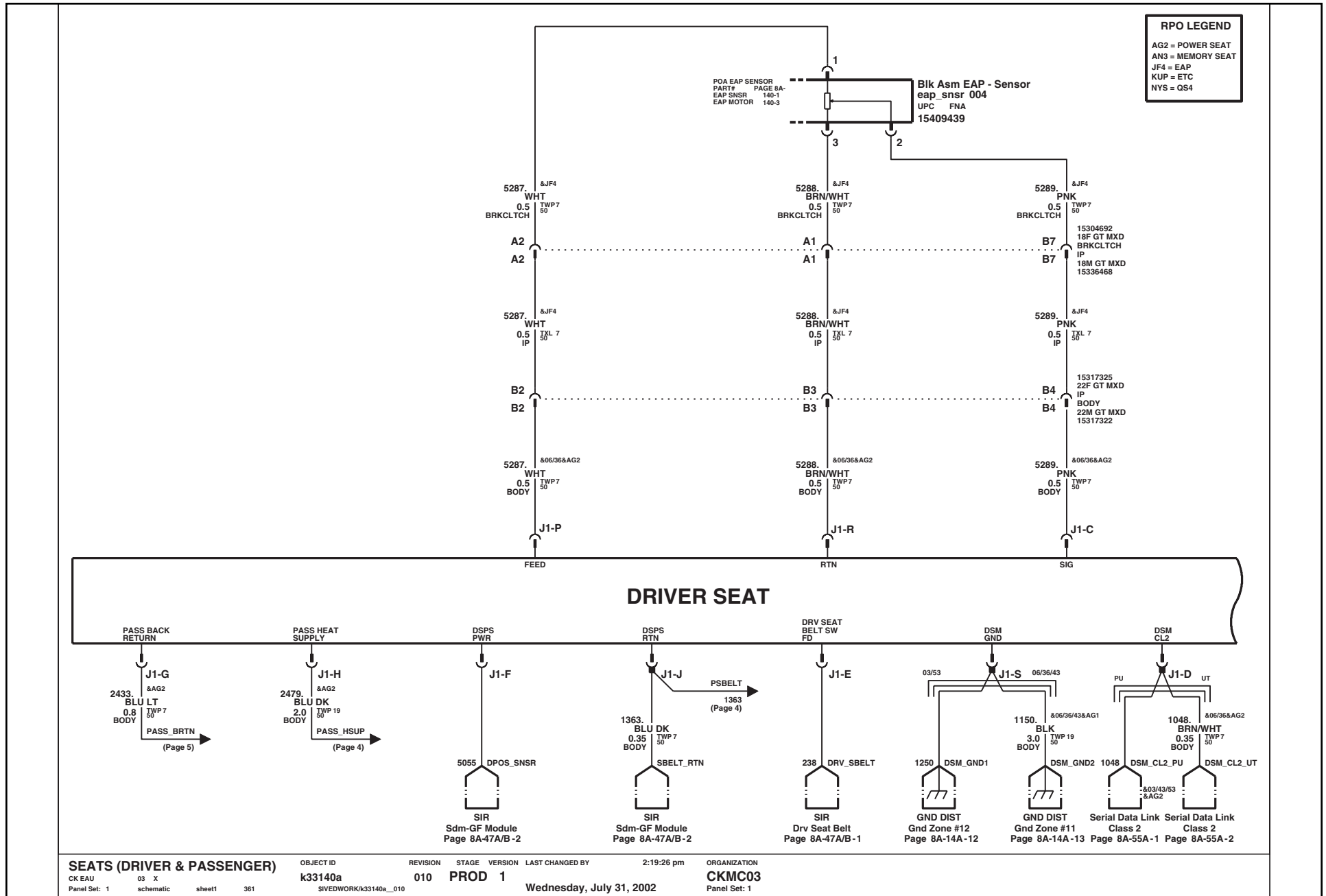
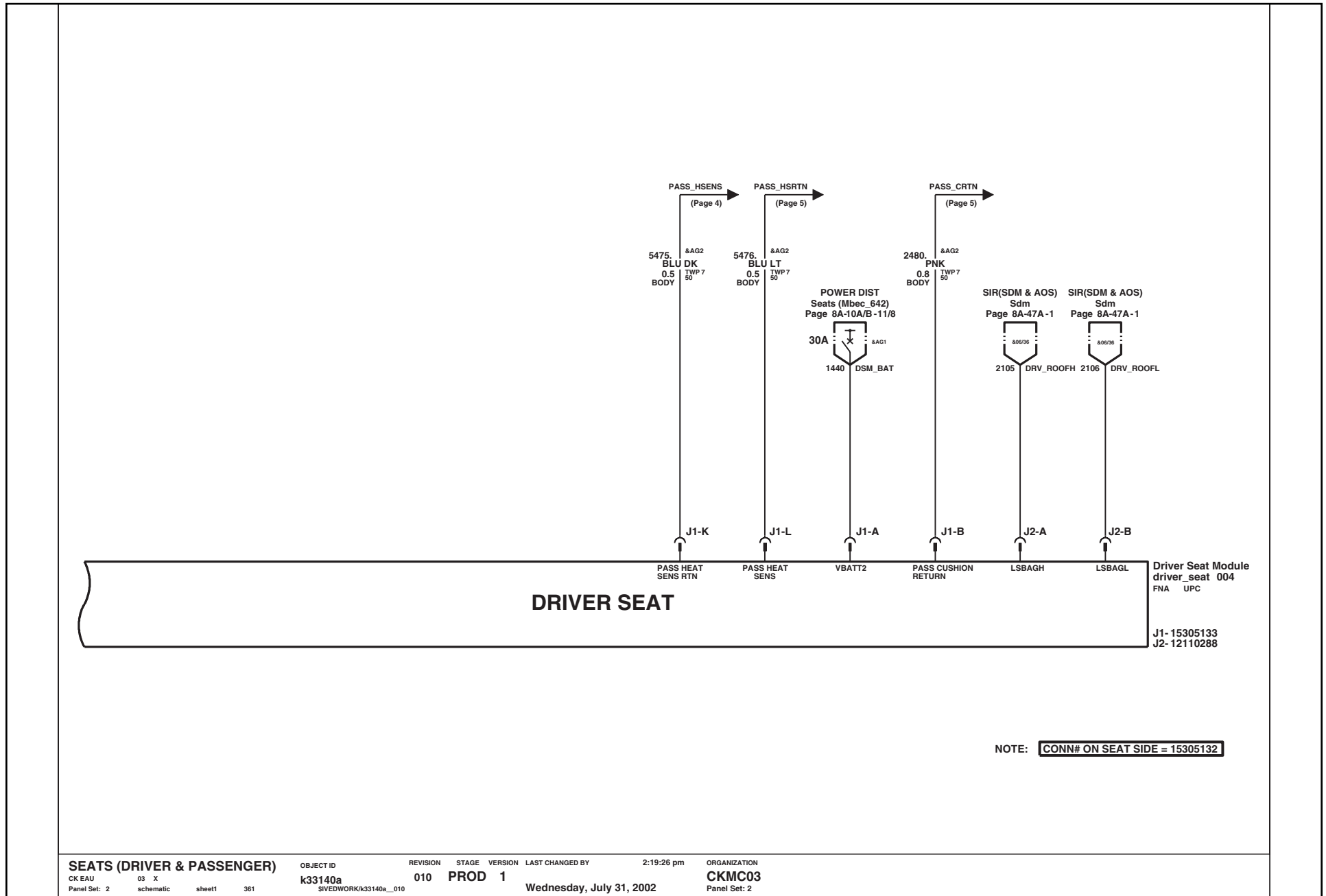


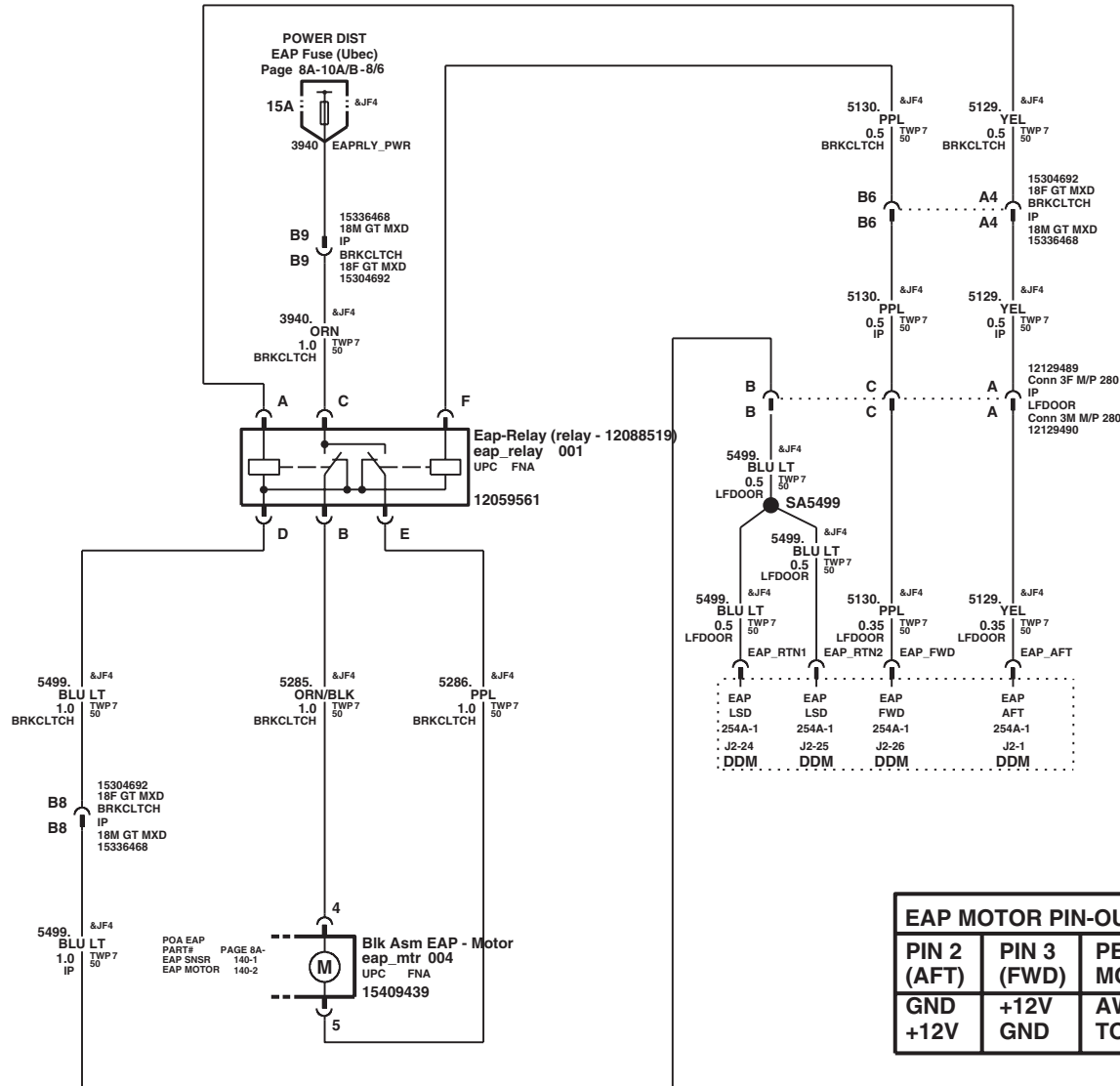
## Seats (Driver and Passenger)



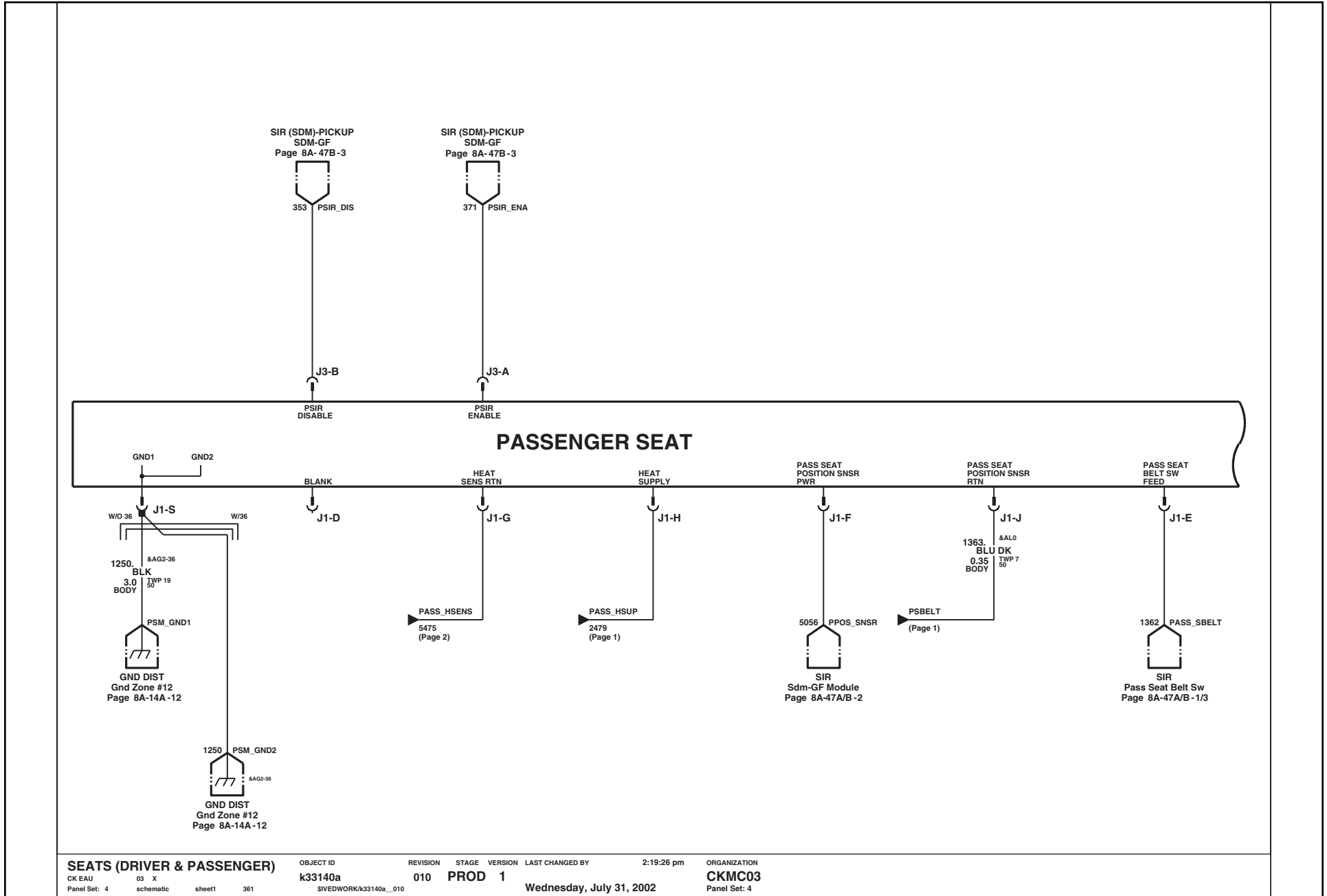
## Seats (Driver and Passenger)



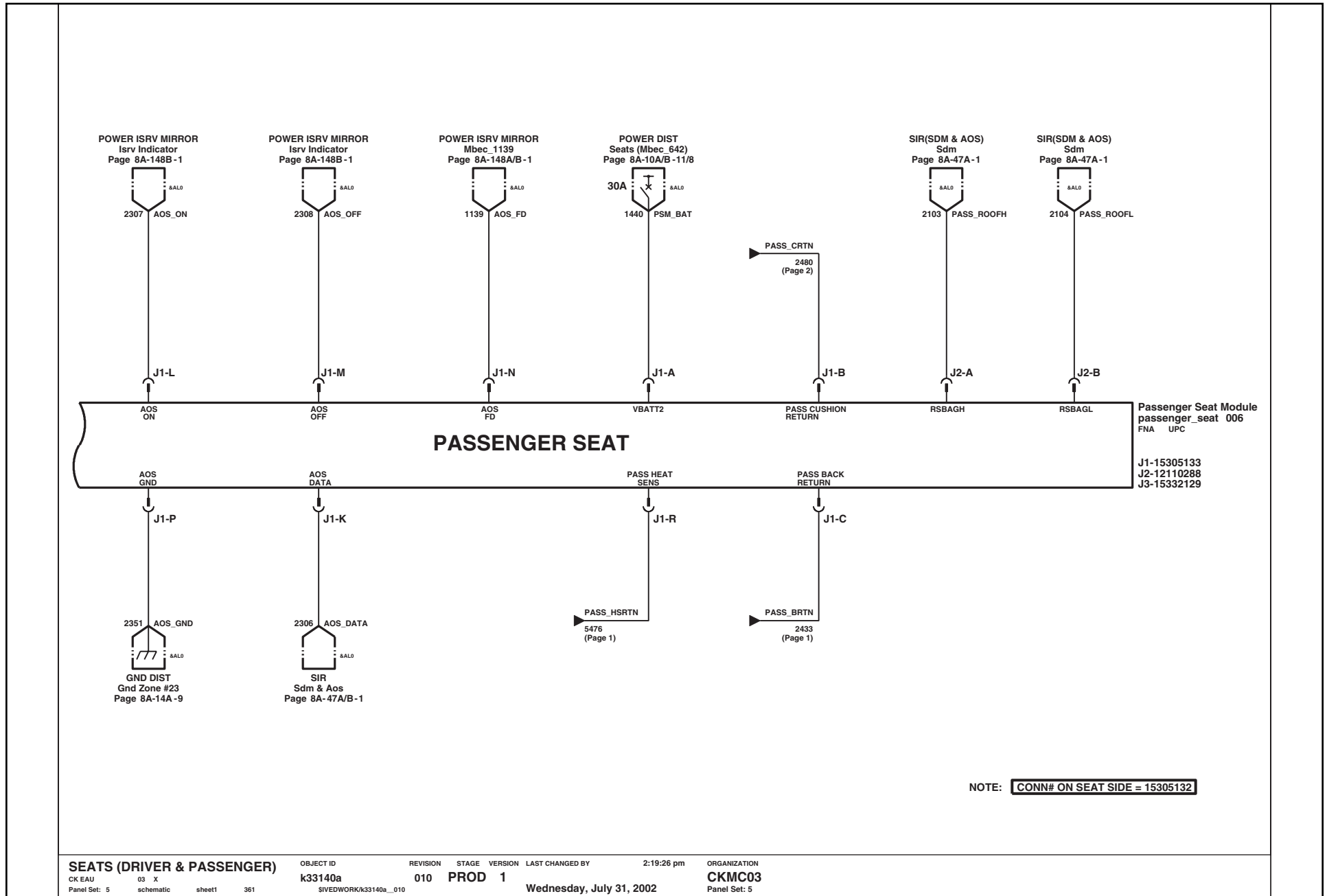
## Seats (Driver and Passenger)



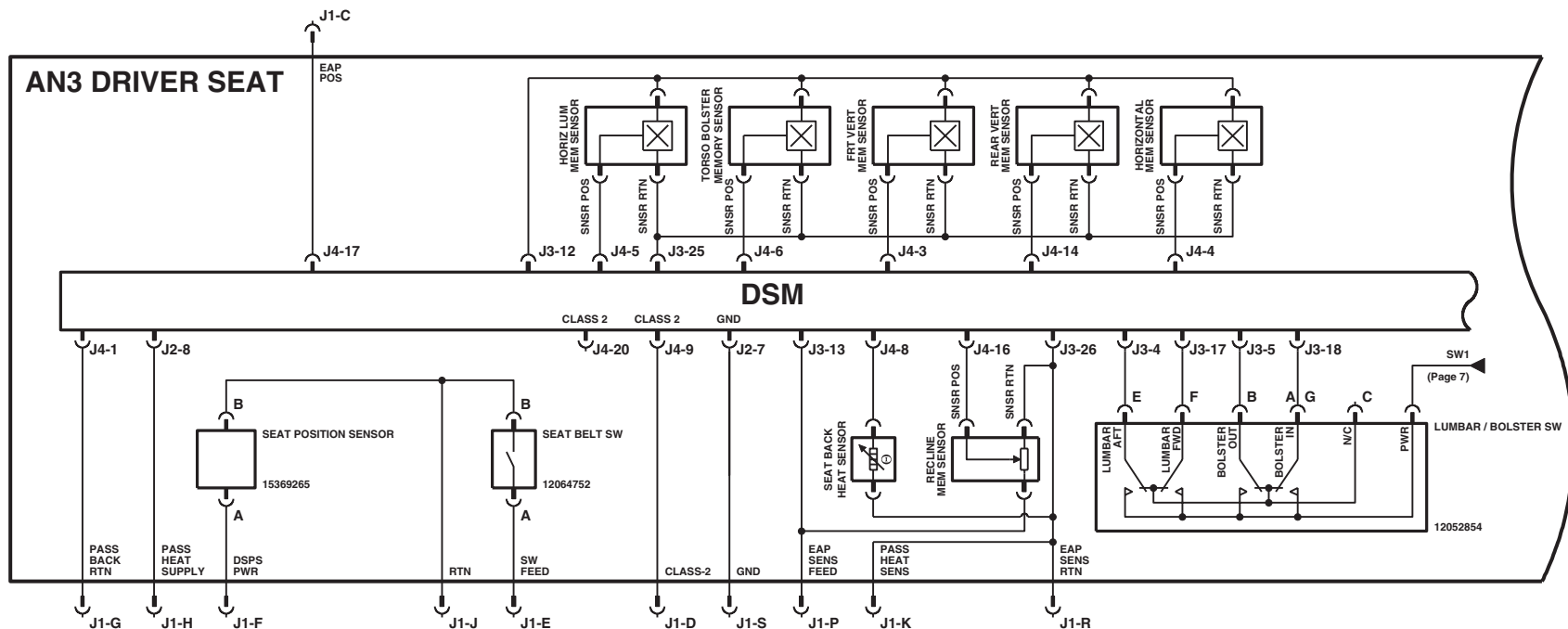
## Seats (Driver and Passenger)



## Seats (Driver and Passenger)



## Seats (Driver and Passenger)

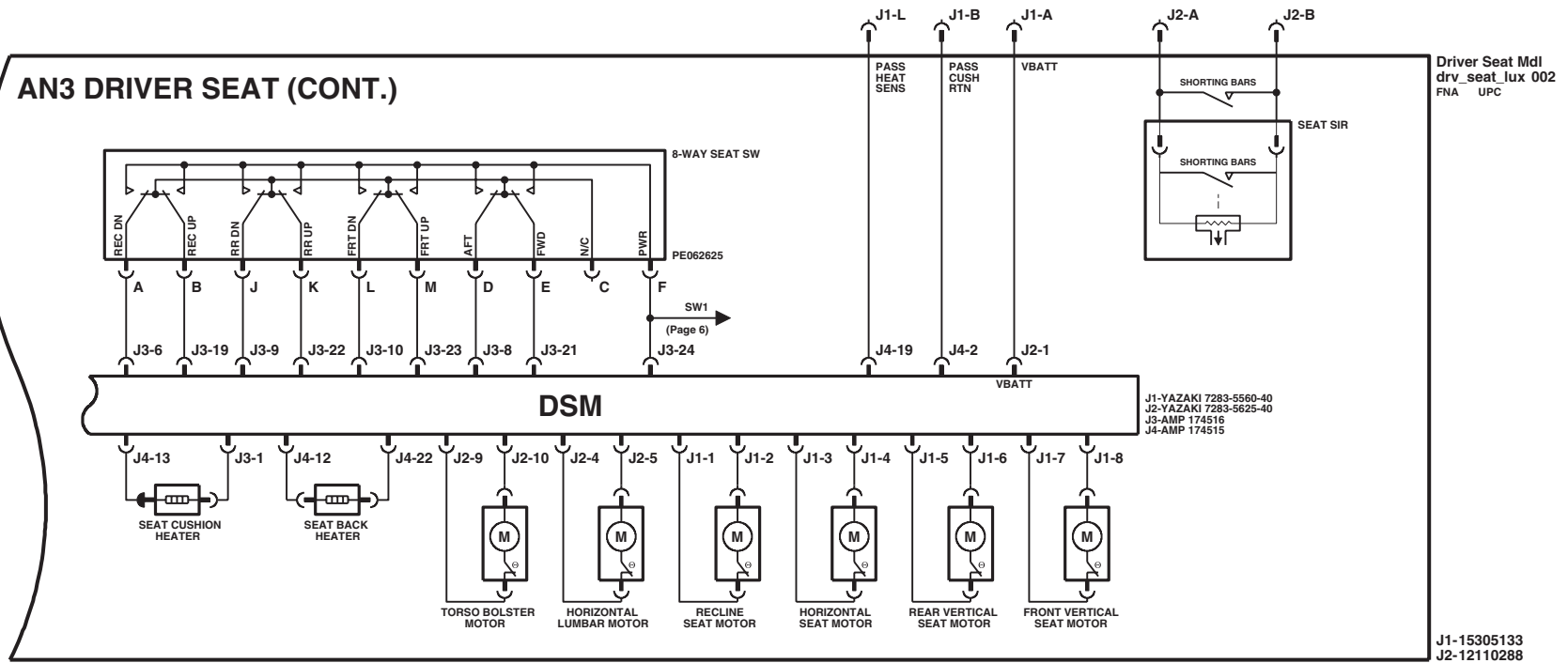


**NOTE: THIS PAGE IS FOR REFERENCE ONLY**

NOTE: **CONN# ON SEAT SIDE = 15305132**

## Seats (Driver and Passenger)

### AN3 DRIVER SEAT (CONT.)



**NOTE: THIS PAGE IS FOR REFERENCE ONLY**

NOTE: **CONN# ON SEAT SIDE = 15305132**

SEATS (DRIVER & PASSENGER)

CK EAU 03 X  
Panel Set: 7 schematic sheet1 361

OBJECT ID

k33140a

SIVEDWORK/k33140a\_010

REVISION STAGE VERSION LAST CHANGED BY

010 PROD 1

Wednesday, July 31, 2002

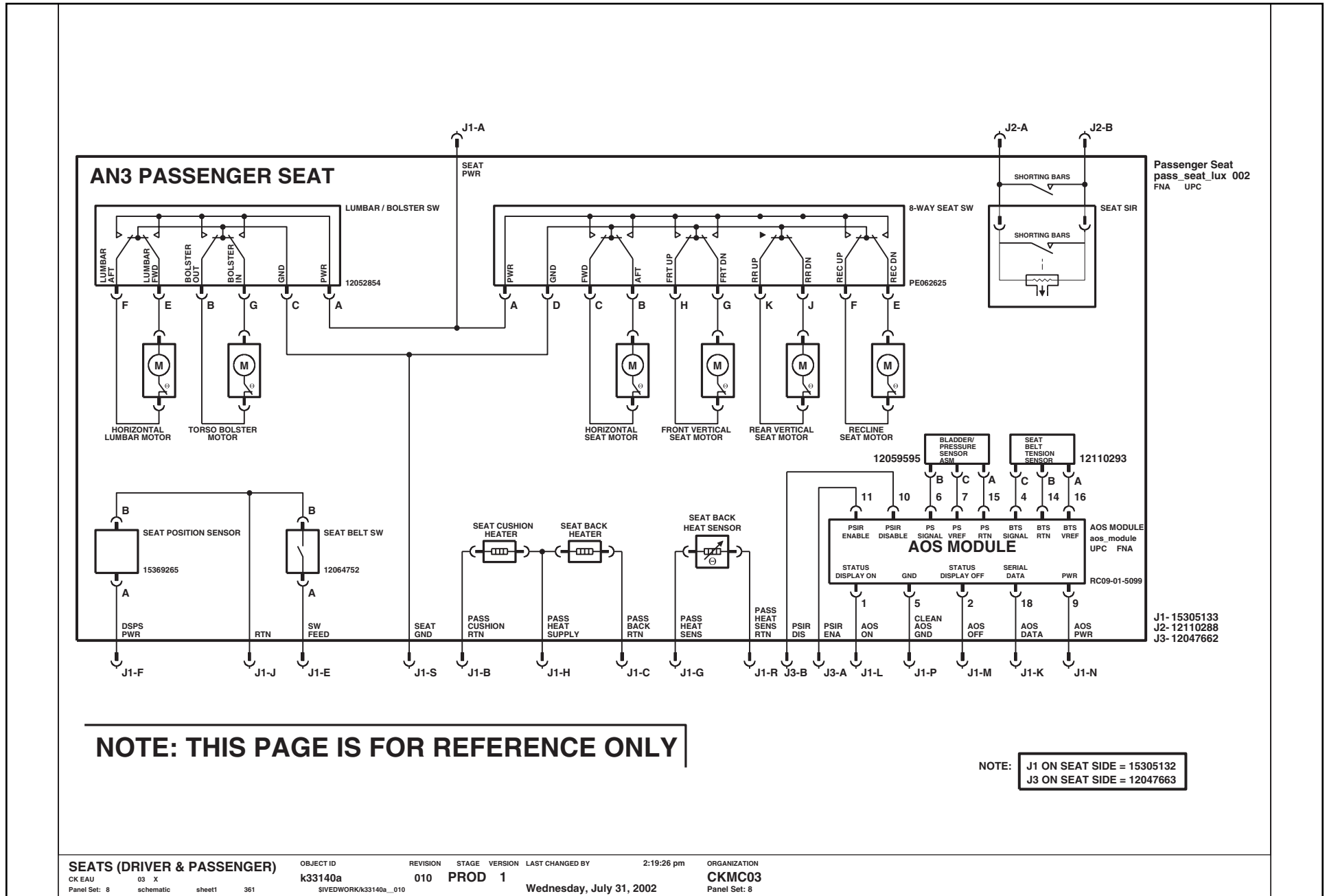
2:19:26 pm

ORGANIZATION

CKMC03

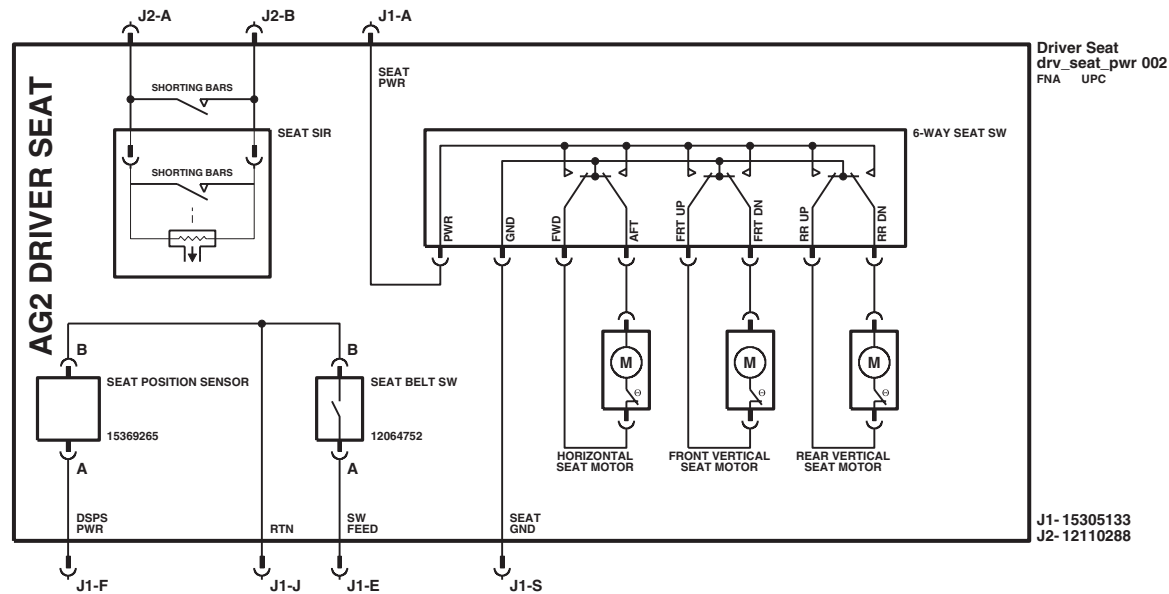
Panel Set: 7

## Seats (Driver and Passenger)





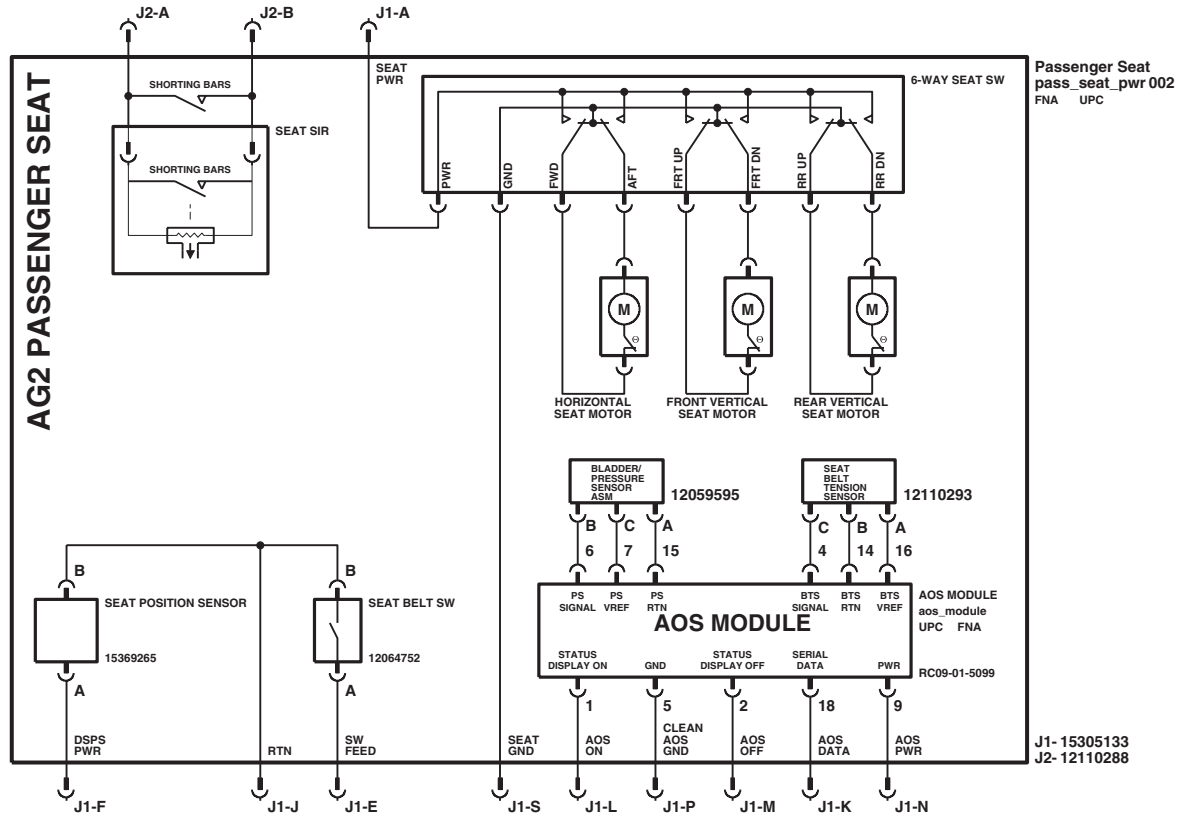
## Seats (Driver and Passenger)



**NOTE: THIS PAGE IS FOR REFERENCE ONLY**

NOTE: **CONN# ON SEAT SIDE = 15305132**

## Seats (Driver and Passenger)



**NOTE: THIS PAGE IS FOR REFERENCE ONLY**