

Tighten the intake manifold bolts/studs, in sequence, to 42 N·m (31 lb ft).

3. Install the hoses and the clamps to the fuel filter assembly.

4. Install the fuel filter assembly and the engine wiring harness bracket.

Tighten the fuel filter mount bolts to 42 N·m (31 lb ft).

5. If equipped, install the upper intake manifold. Refer to *Intake Manifold Installation (Upper-L65)*.

ace the harness in the engine valley. Connect the wiring harness connectors to devices or attachment points.

Manifold Installation (L57, L65)

the intake manifold and gaskets.

Notice: Refer to *Fastener Notice in Cautions and Notices.*

- Install the intake manifold bolts/studs and fuel line clips.
 - Use teflon sealer to seal the four bolts, numbers 9, 11, 13, and 15 that are exposed to the crankcase.
 - Apply threadlocker GM P/N 12345493 to the threads of the bolts and the studs that are not numbered 9, 11, 13, or 15.

Tighten

Tighten the intake manifold bolts/studs, in sequence, to 42 N·m (31 lb ft).

- Install the hoses and the clamps to the fuel filter assembly. **65-CMT**

- Install the thermostat bypass connector. Tighten the connector each opening end, in the sequence shown in the illustration.
- Install the thermostat housing and gaskets.

Refer to *Fastener Notice in Cautions and*

Notices for the bolts and studs.

Tighten

Tighten the bolts and the studs to the torque values shown in the illustration.

- Install the engine coolant temperature (ECT) sensor.

Install the fuel bleed valve and the

fuel filter assembly, and refer to *Fastener Notice in Cautions and Notices*.

- Install the fuel filter assembly and the engine wiring harness bracket.

Tighten

Tighten the fuel filter mount bolts to 42 N·m (31 lb ft).

- If equipped, install the upper intake manifold.

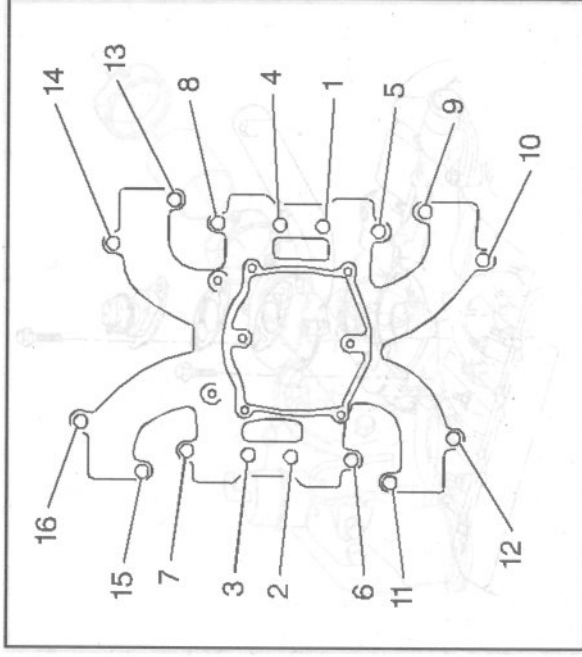
Refer to *Intake Manifold Installation (Upper-L65)*

and *Fastener Notice in Cautions and Notices*.

Install the intake manifold bolts

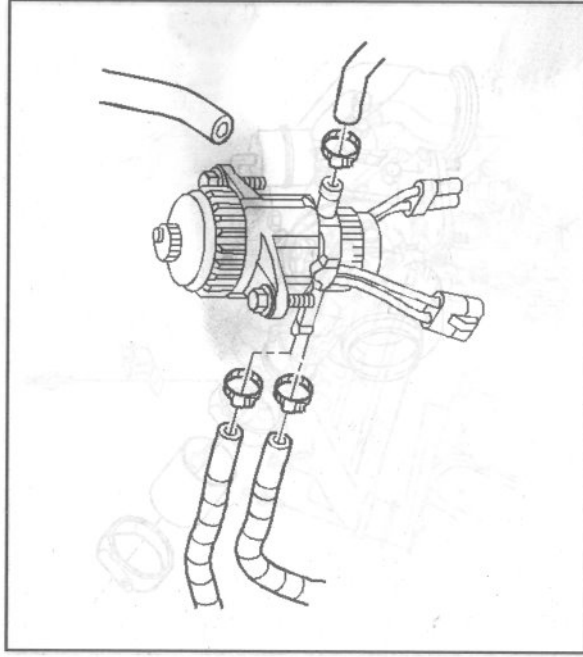
and the fuel filter assembly, and refer to

Fastener Notice in Cautions and Notices.



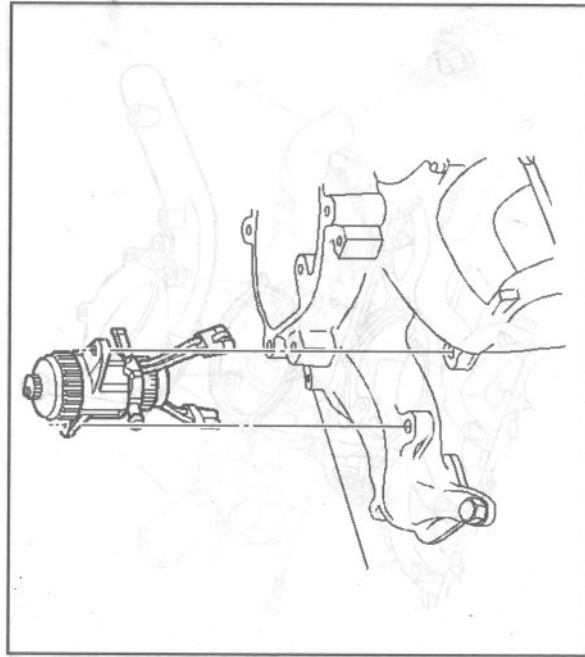
59761

59761



59758

59758



59759

59759