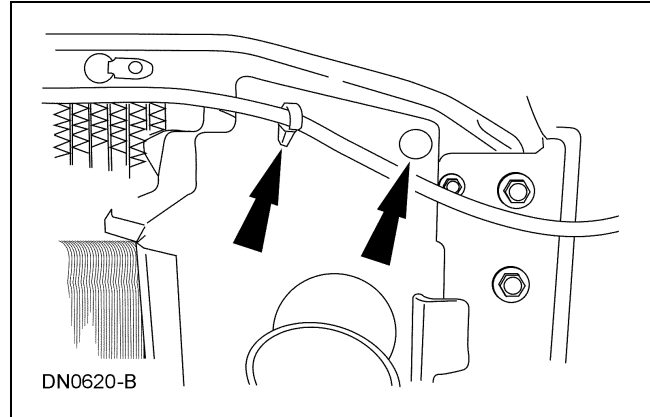
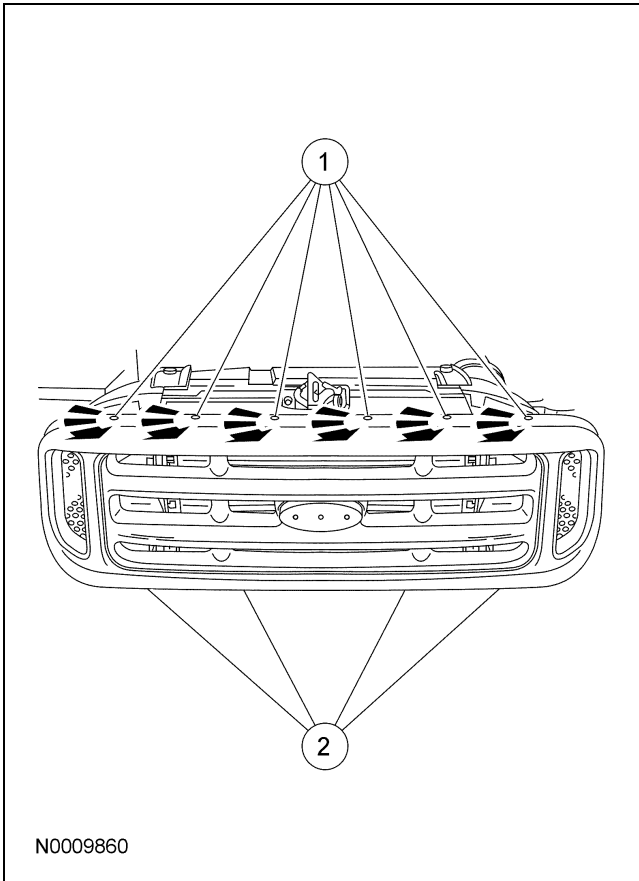


REMOVAL AND INSTALLATION

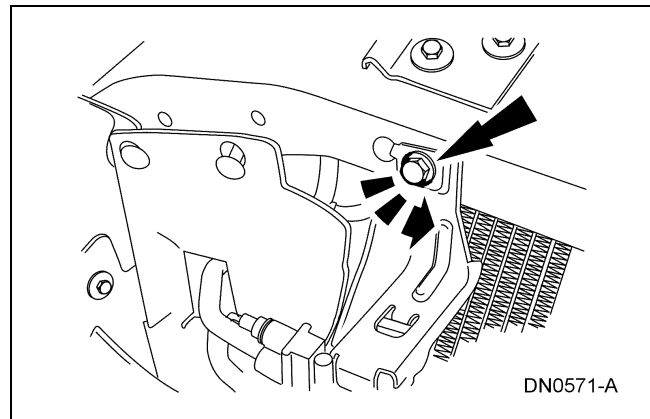
Radiator Grille Opening Panel Reinforcement

Removal and Installation

1. Remove the radiator grille.
 - 1 Remove the screws.
 - 2 Disconnect the lower clips, then remove the radiator grille.



6. Remove the air conditioning condenser brackets.

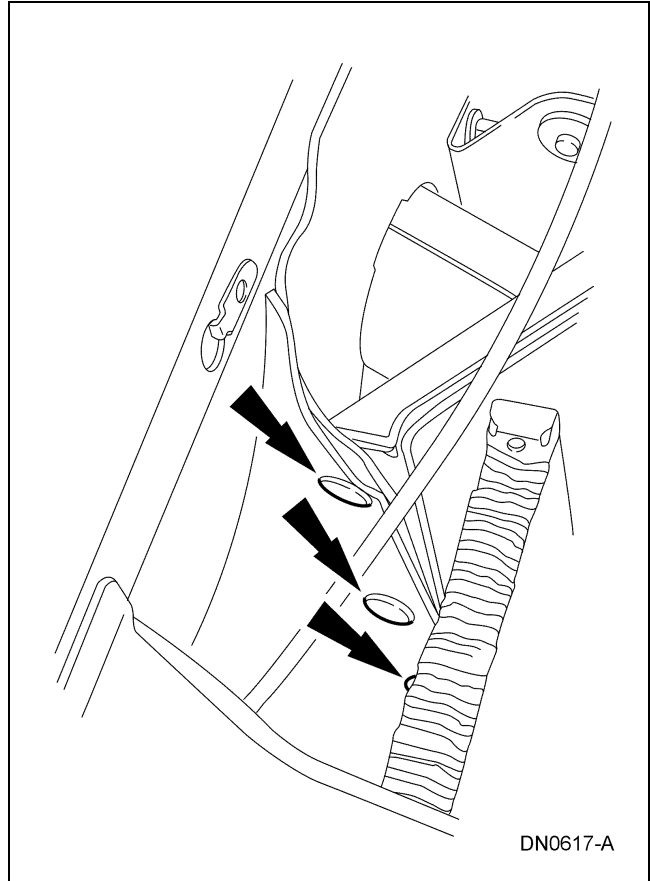
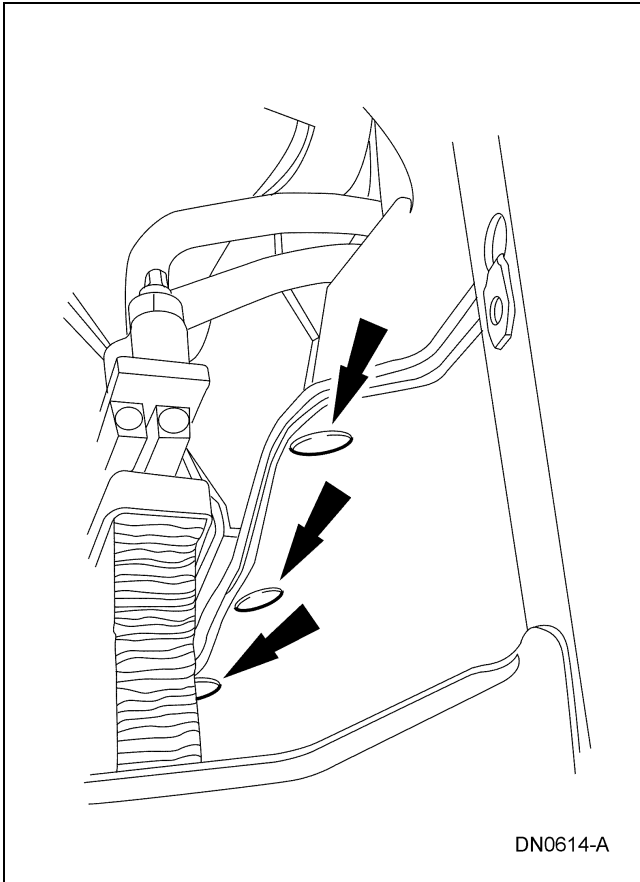


7. Unclip the hood release cable from the radiator support.

2. Remove the upper radiator air deflector (8326).
3. Remove the headlamps. For additional information, refer to Section 417-01.
4. Remove the parking lamp assemblies. For additional information, refer to Section 417-01.
5. Remove the left side air deflector push pin and hood latch cable clip.

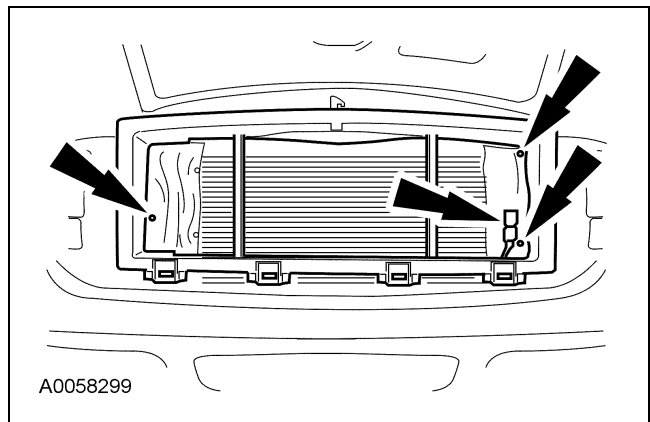
REMOVAL AND INSTALLATION (Continued)

- 8. Remove the air deflector push pins from the right rear air deflector.



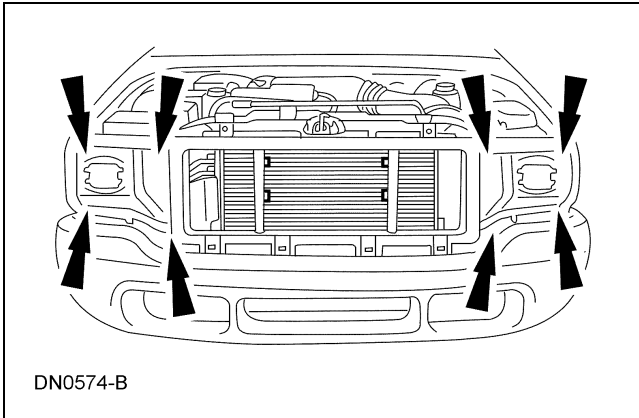
- 9. Remove the air deflector push pins from the left rear air deflector.

- 10. Remove the three air deflector pin-type retainers and the air temperature sensor.



REMOVAL AND INSTALLATION (Continued)

11. Remove the radiator grille opening panel reinforcement retaining bolts.



12. Lift the air conditioning condenser, then remove the radiator grille opening panel reinforcement (8A284).

13. To install, reverse the removal procedure.