

REMOVAL AND INSTALLATION

Evaporator Core Housing

Material

Item	Specification
Refrigerant Compressor Oil (Mineral Oil) F73Z-19577-AA	ESH-M2C31-A2

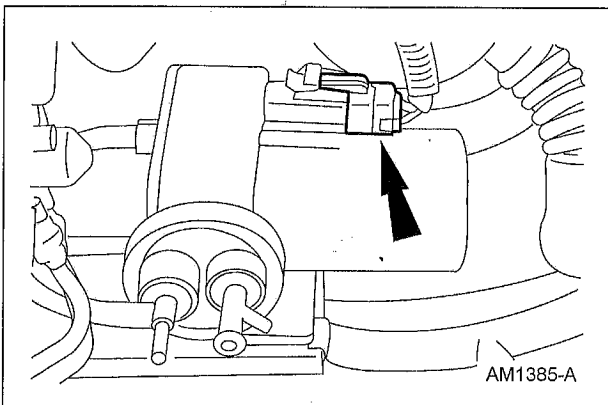
Removal

All vehicles

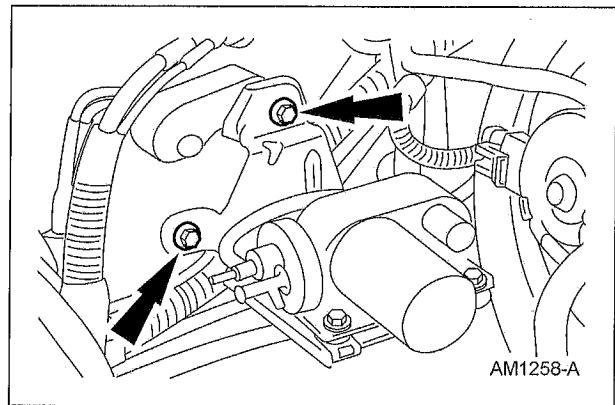
1. Remove the suction accumulator. For additional information, refer to Section 412-03A.
2. Remove the RH battery. For additional information, refer to Section 414-01.
3. Remove the RH fender splash shield. For additional information, refer to Section 501-02.
4. Disconnect the heater control valve vacuum hose (if equipped).

Vehicles with 6.0L Diesel

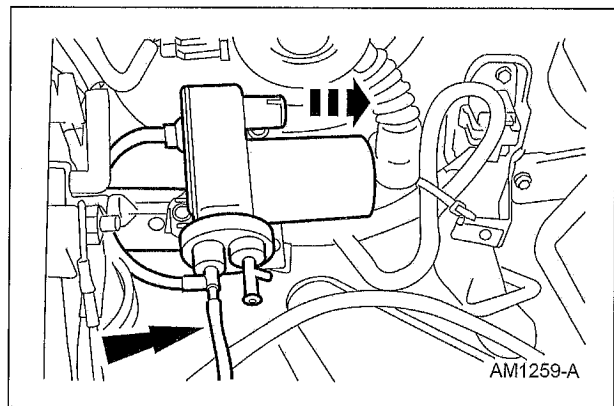
5. Disconnect the vacuum pump electrical connector.



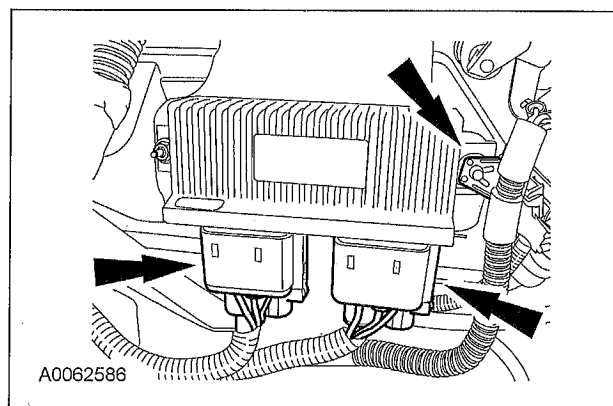
6. Remove the bolts.



7. Disconnect the vacuum connector and remove the vacuum pump and mounting bracket.

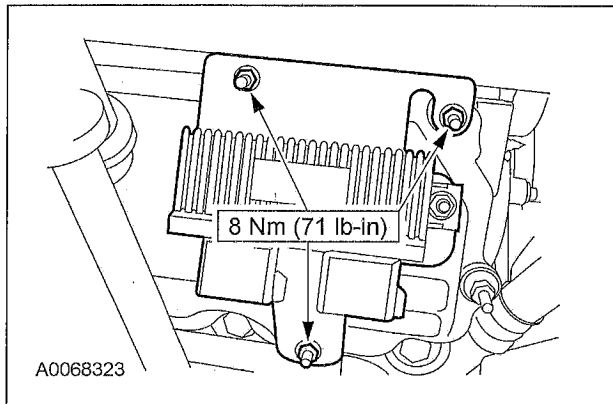


8. Disconnect the glow plug controller electrical connector and detach the wire harness.



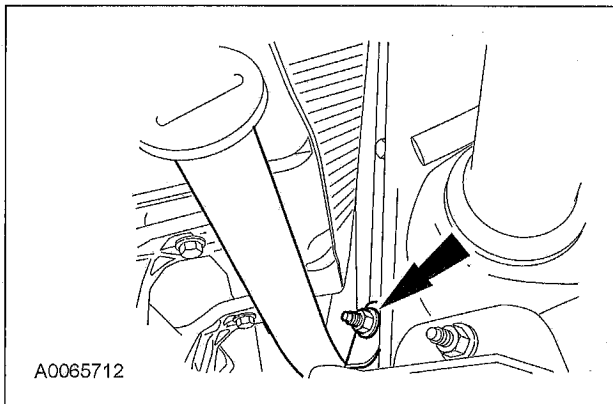
REMOVAL AND INSTALLATION (Continued)

9. Remove the nuts and the glow plug controller.



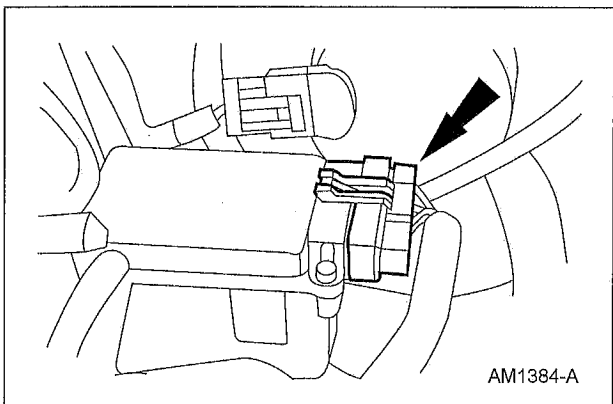
Vehicles with automatic transmission

10. Remove the nut and position the transmission fluid indicator tube aside.

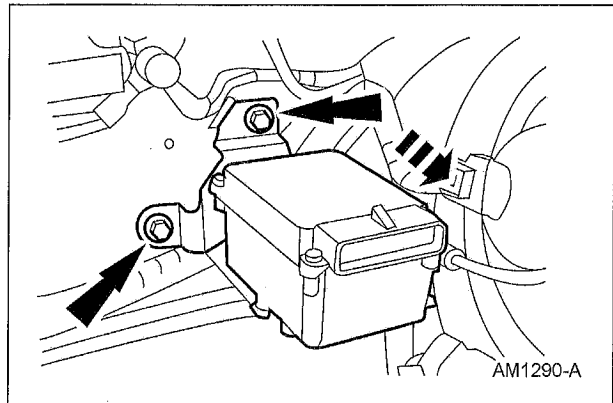


Vehicles with 5.4L or 6.8L

11. Disconnect the speed control servo electrical connector.

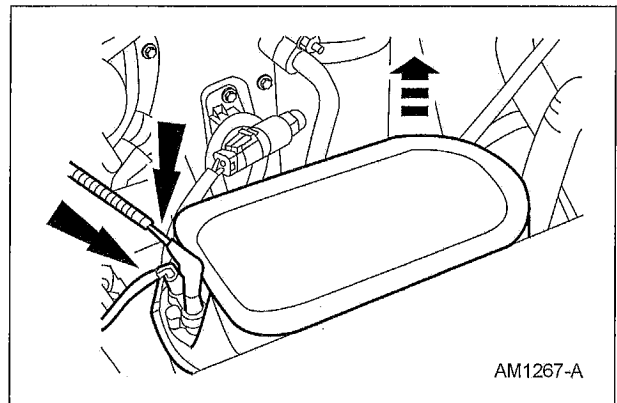


12. Remove the bolts and position the speed control servo aside.

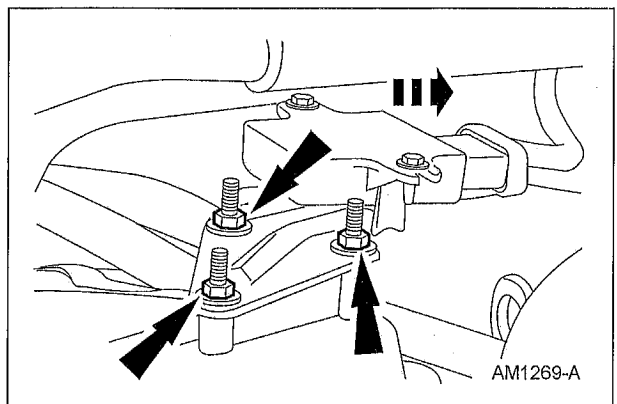


All vehicles

13. Disconnect the vacuum connectors and remove the vacuum reservoir.

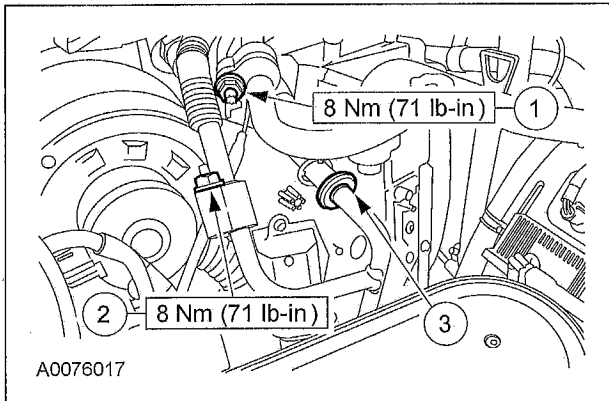


14. Remove the nuts and position the sensor bracket aside.

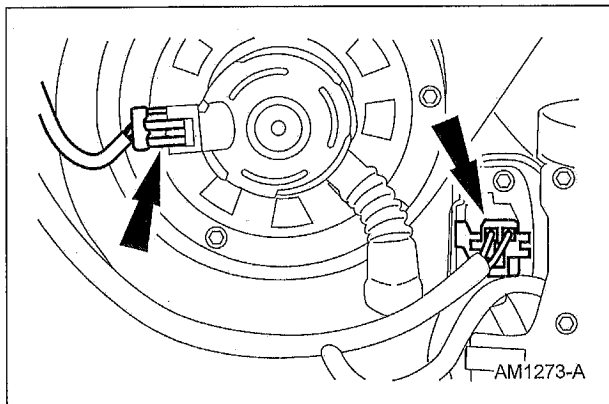


REMOVAL AND INSTALLATION (Continued)**All vehicles**

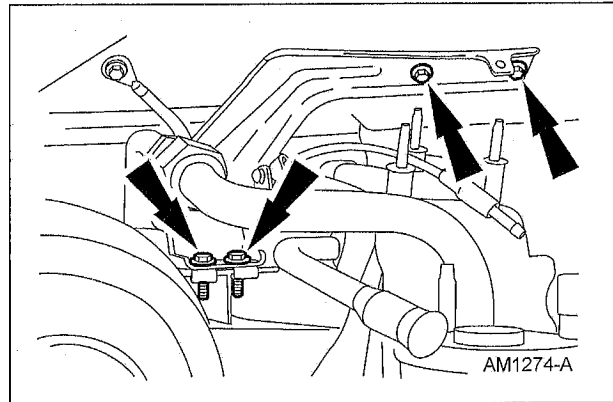
15. Disconnect the A/C fittings.
- 1 Disconnect the auxiliary evaporator outlet line fitting (if equipped).
 - 2 Disconnect the auxiliary evaporator inlet line fitting (if equipped).
 - 3 Disconnect the evaporator inlet fitting.
- Discard the O-ring seals.



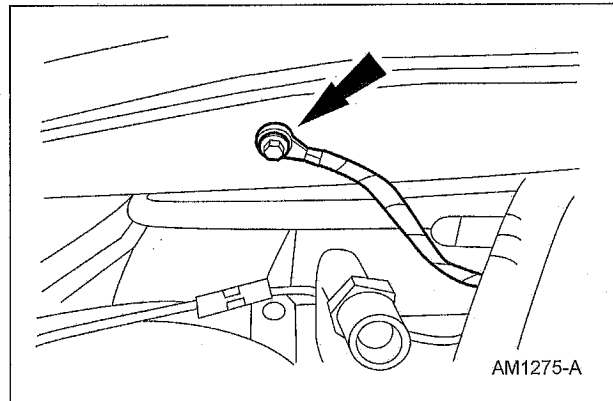
16. **NOTE:** Vehicle with manual climate control shown, vehicles with EATC similar.
Disconnect the electrical connectors.



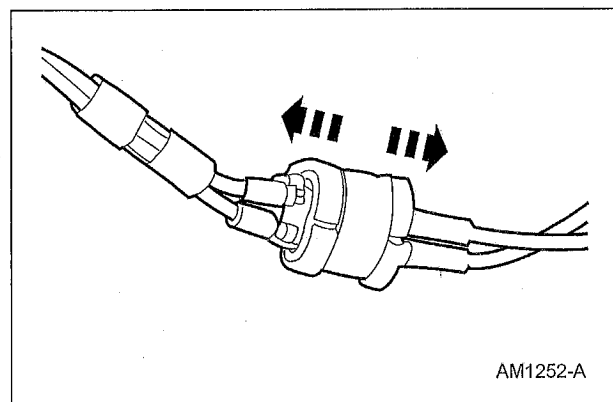
17. Remove the bolts and the evaporator core housing support bracket.
- Detach the wire harness and vacuum line retainers.



18. Remove the bolt and position the cable aside.

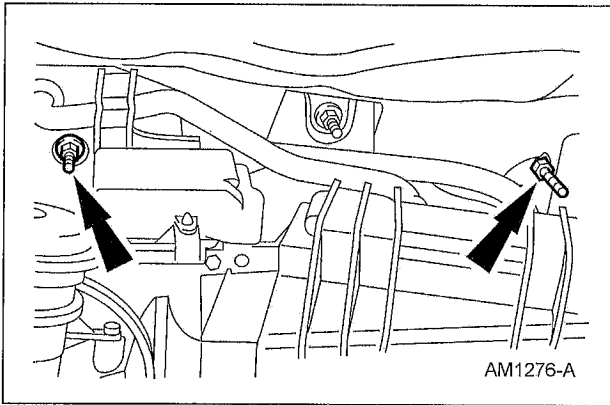


19. Remove the RH lower instrument panel insulator.
20. Lower the glove compartment.
21. From inside the vehicle, disconnect the vacuum harness connector.
- Detach the vacuum harness connector from the heater core housing.

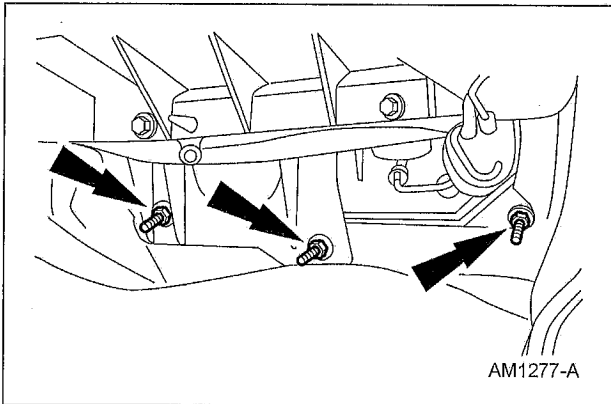


REMOVAL AND INSTALLATION (Continued)

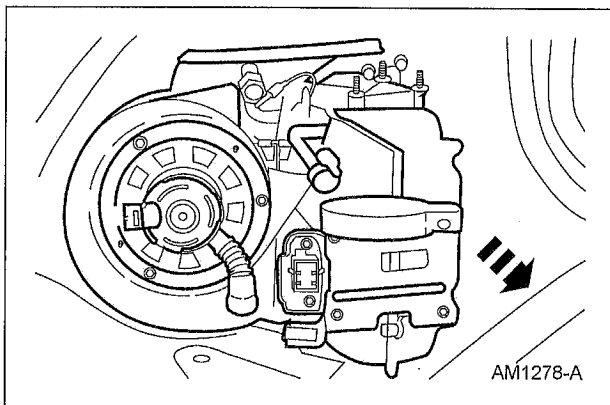
22. Working through the glove compartment opening, remove the upper retaining nuts.



23. Remove the lower retaining nuts.



24. Remove the evaporator core housing.

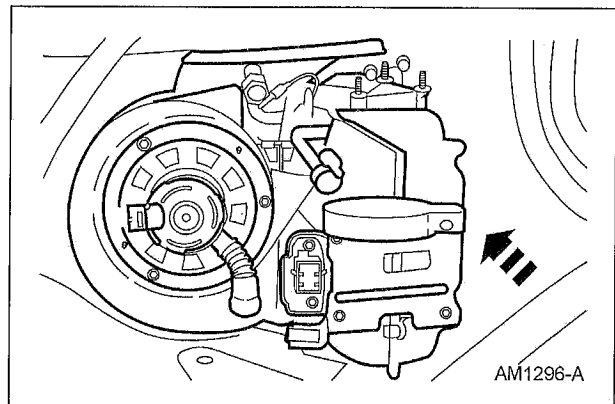
**Installation**

⚠ CAUTION: Refrigerant compressor oil (mineral oil) F73Z-19577-AA (Motorcraft YN-9-A) should be used to lubricate R-134a refrigerant system O-ring seals only and should not be added to the R-134a refrigerant system as an A/C compressor lubricant. PAG refrigerant compressor oil F7AZ-19D589-DA (Motorcraft YN-12-C) or equivalent meeting Ford specification WSH-M1C231-B only should be used as an A/C compressor lubricant.

All vehicles

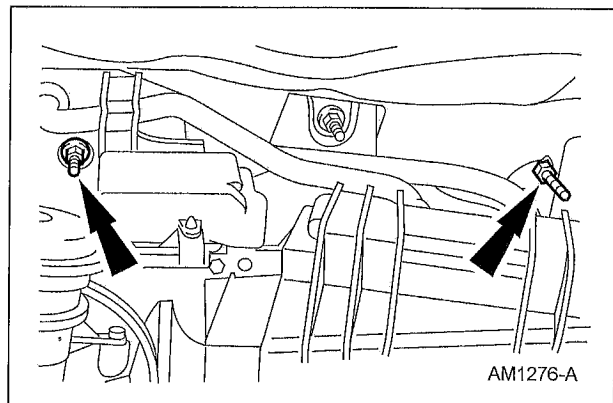
1. **NOTE:** Be sure the vacuum harness is correctly routed through the dash panel opening.

Position the evaporator core housing on the dash panel.



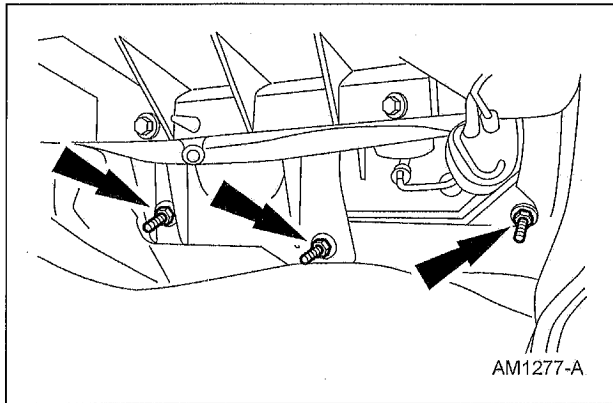
2. **NOTE:** Have an assistant hold the evaporator core housing in place while installing the upper nuts.

Install, but do not tighten the upper retaining nuts.

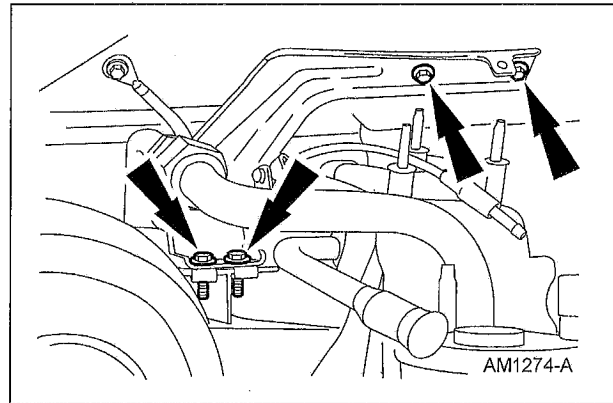


REMOVAL AND INSTALLATION (Continued)

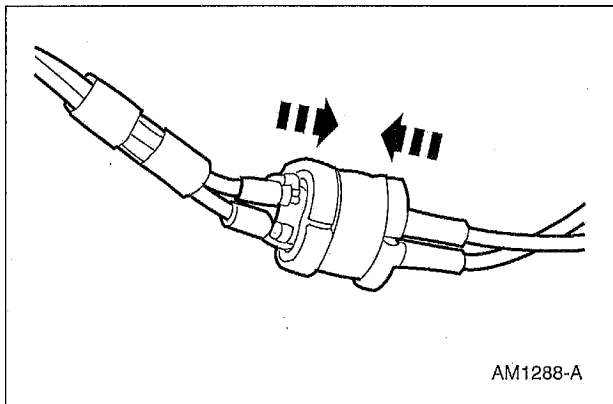
3. Install, but do not tighten the lower retaining nuts.



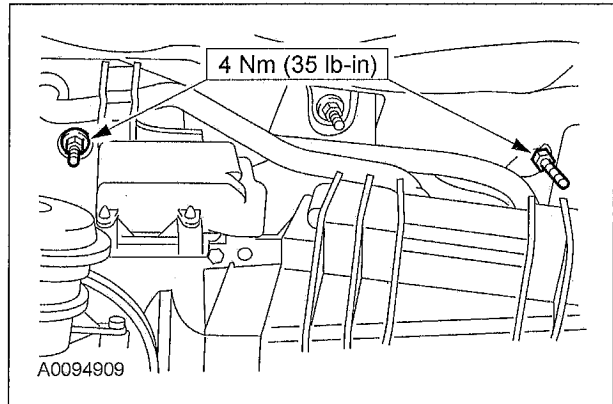
6. Position the evaporator core housing support bracket and install, but do not tighten, the bolts.



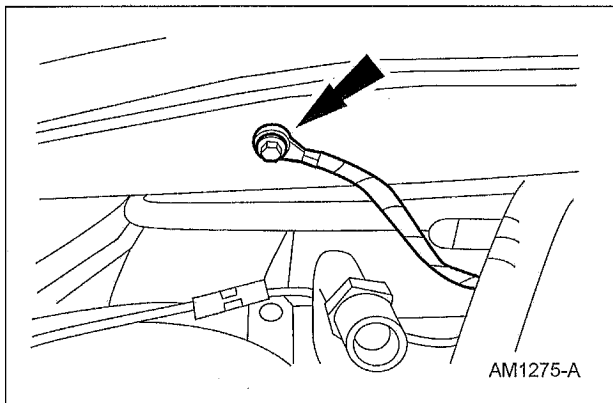
4. Connect the vacuum harness connector.
 - Attach the vacuum harness connector to the heater core housing.



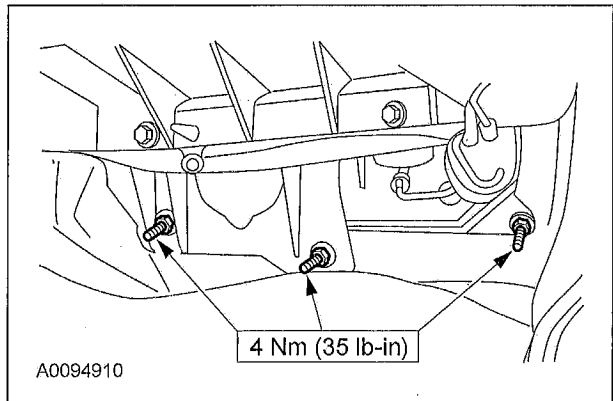
7. Tighten the upper retaining nuts.



5. Reposition the cable and install the bolt.

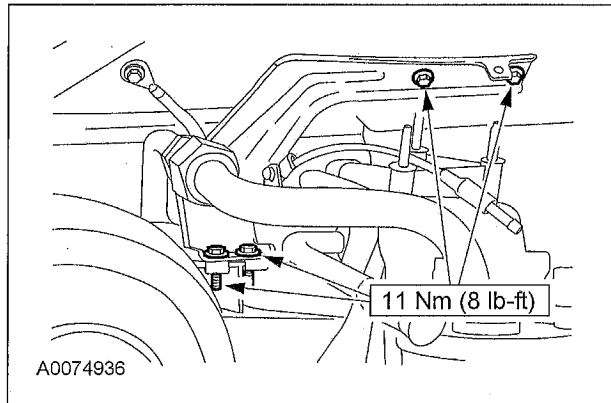


8. Tighten the lower retaining nuts.



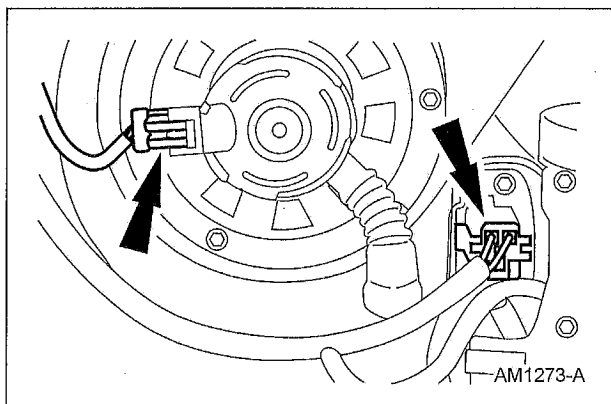
REMOVAL AND INSTALLATION (Continued)

9. Tighten the evaporator core housing support bracket bolts.



10. **NOTE:** Vehicle with manual climate control shown, vehicles with EATC similar.

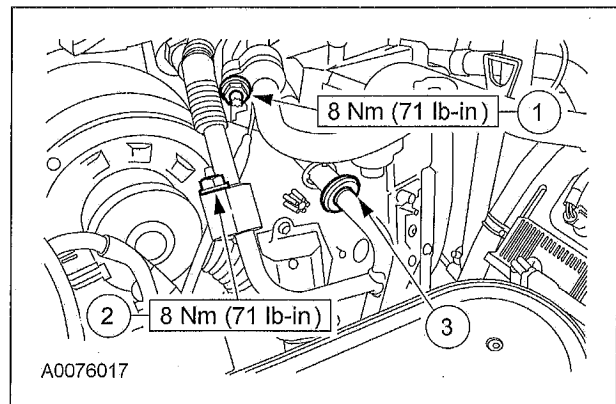
Connect the electrical connectors.



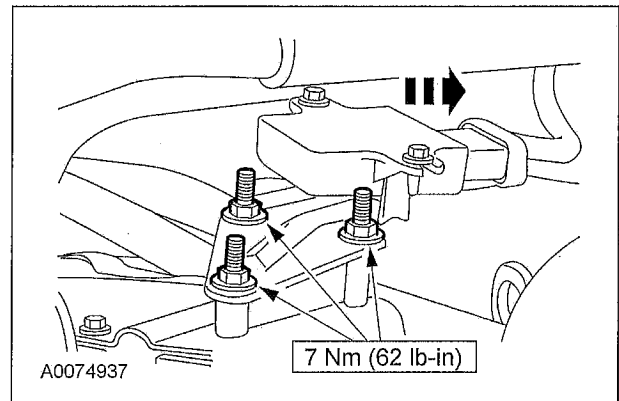
11. **NOTE:** Install new O-ring seals lubricated in clean mineral oil.

Connect the A/C fittings.

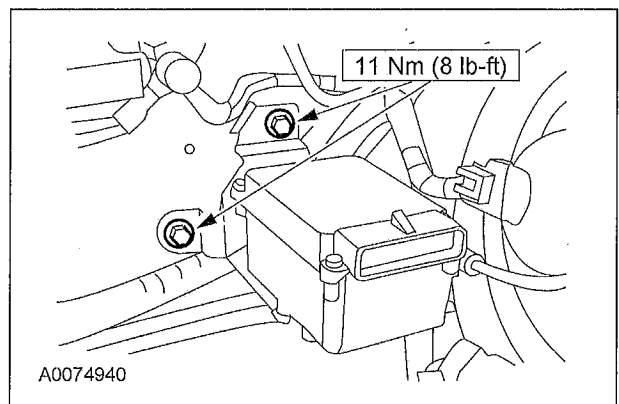
- 1 Connect the auxiliary evaporator outlet line fitting (if equipped).
- 2 Connect the auxiliary evaporator inlet line fitting (if equipped).
- 3 Connect the evaporator inlet line fitting.

**All vehicles**

12. Position the sensor bracket and install the nuts.

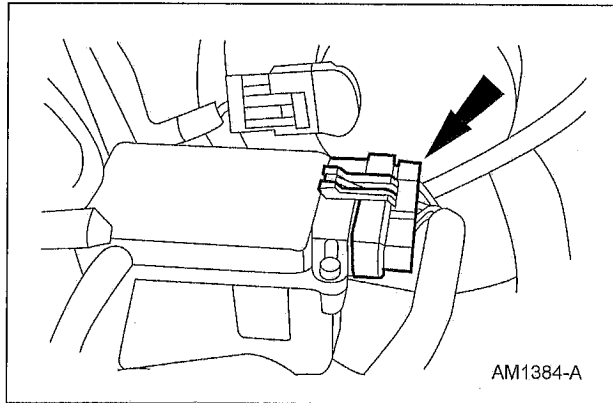
**Vehicles with 5.4L or 6.8L**

13. Position the speed control servo and install the bolts.

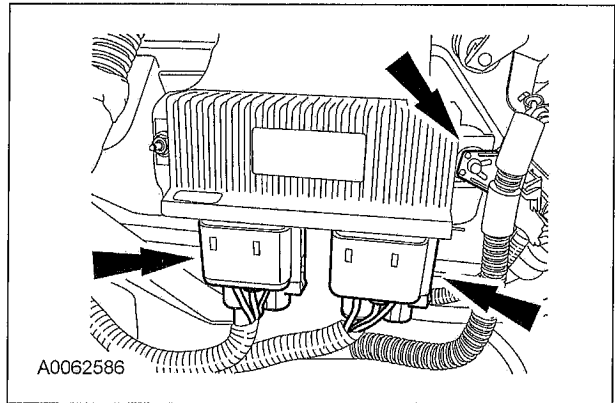


REMOVAL AND INSTALLATION (Continued)

14. Connect the speed control servo electrical connector.

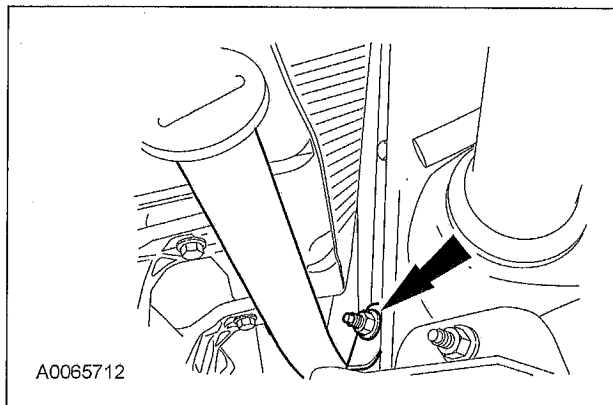


17. Connect the glow plug controller and attach the wire harness.



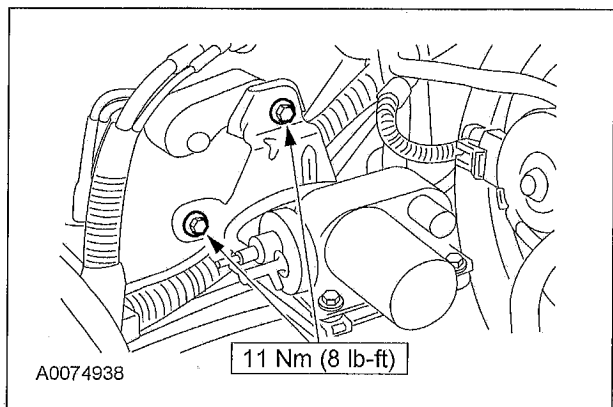
Vehicles with automatic transmission

15. Position the transmission fluid level indicator and install the nut.



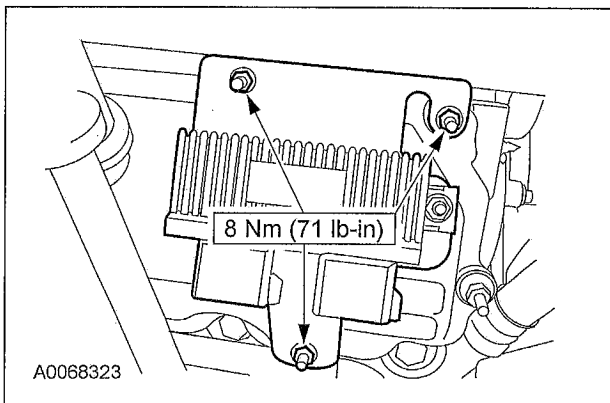
18. Position the vacuum pump and install the bolts.

- Connect the vacuum connectors.

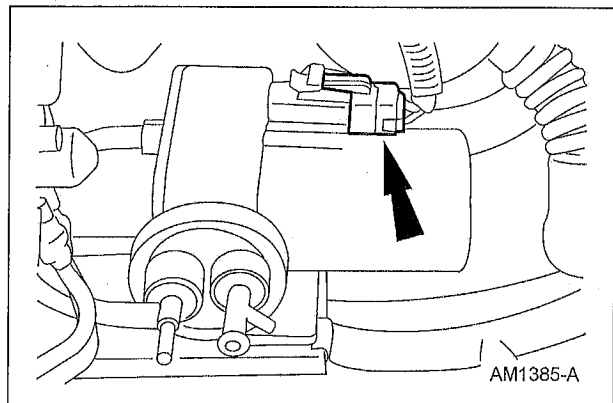


Vehicles with 6.0L Diesel

16. Position the glow plug controller and install the nuts.



19. Connect the vacuum pump electrical connector.



All vehicles

20. Connect the heater control valve vacuum connector (if equipped).

REMOVAL AND INSTALLATION (Continued)

- | | |
|---|--|
| 21. Connect the vacuum reservoir vacuum connectors. | 23. Install the RH battery. For additional information, refer to Section 414-01. |
| 22. Install the RH fender splash shield. For additional information, refer to Section 501-02. | 24. Install the suction accumulator. For additional information, refer to Section 412-03A. |
-