

REMOVAL AND INSTALLATION

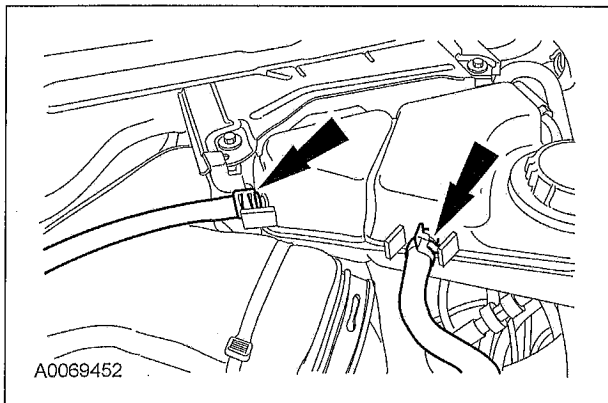
Degas Bottle — 6.0L Diesel

Material

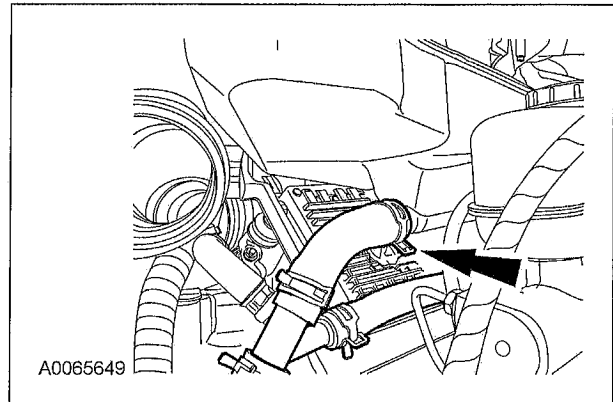
Item	Specification
Threadlock 262® E2FZ-19554-B	WSK-M2G351-A6

Removal and Installation

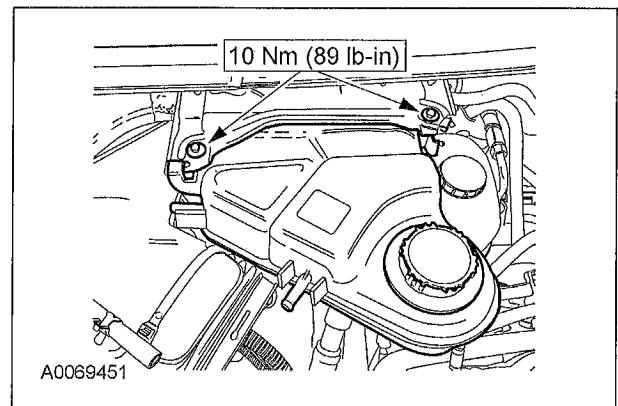
1. Partially drain cooling system. For additional information, refer to Cooling System Draining, Filling and Bleeding in this section.
2. Disconnect the engine vent hose and radiator overflow hose.



3. Disconnect the degas bottle supply hose.



4. Remove the bolts and the degas bottle.



5. To install, reverse the removal procedure.
 - Apply Threadlock 262® to the bolts threads.