


REMOVAL AND INSTALLATION

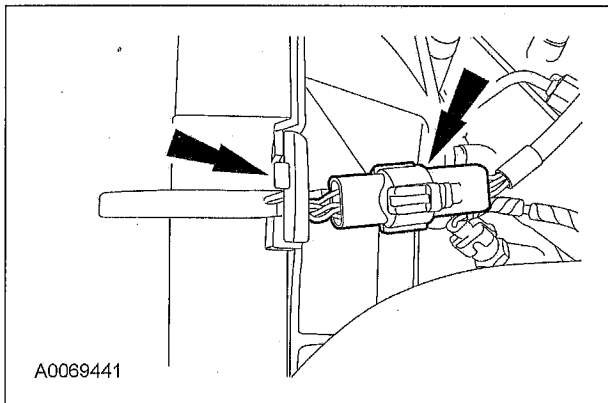
Cooling Fan — 6.0L Diesel

Special Tool(s)

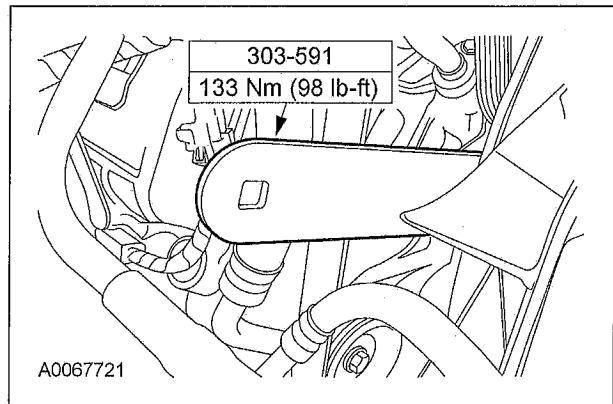
 <p>ST2042-A</p>	<p>Wrench, Fan Clutch Nut 303-591</p>
---	---

Removal and Installation

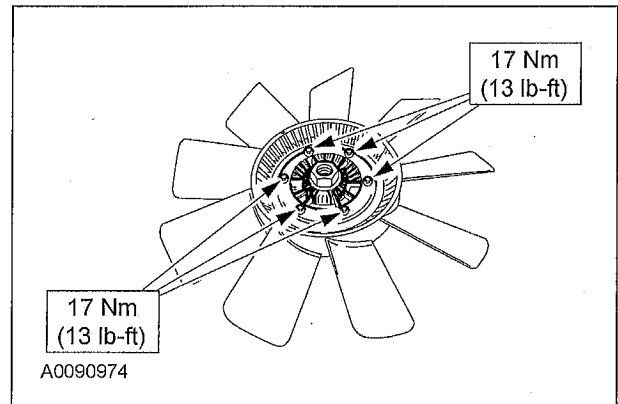
1. Remove the radiator assembly. For additional information, refer to Radiator — 6.0L Diesel in this section.
2. Disconnect the cooling fan clutch electrical connector. Unclip and position the fan wiring aside.



3. **NOTE:** The large clutch assembly nut has a RH thread and must be rotated counterclockwise to remove it.
NOTE: Use a hole in the fan hub to prevent the fan from turning.
Using the special tool, remove the cooling fan and clutch.



4. Remove the cooling fan and clutch assembly.
5. If necessary, remove the bolts and separate the cooling fan and the clutch.



6. To install, reverse the removal procedure.