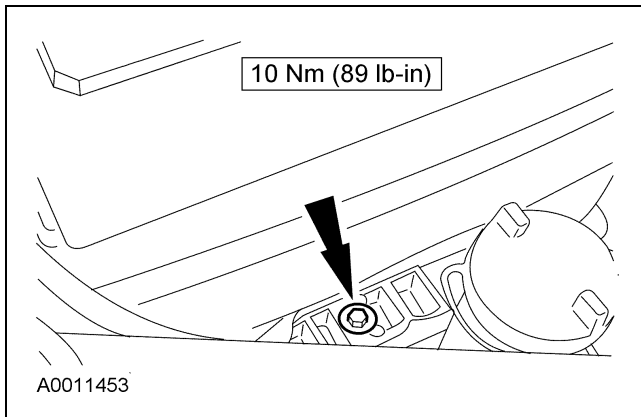


REMOVAL AND INSTALLATION

Battery

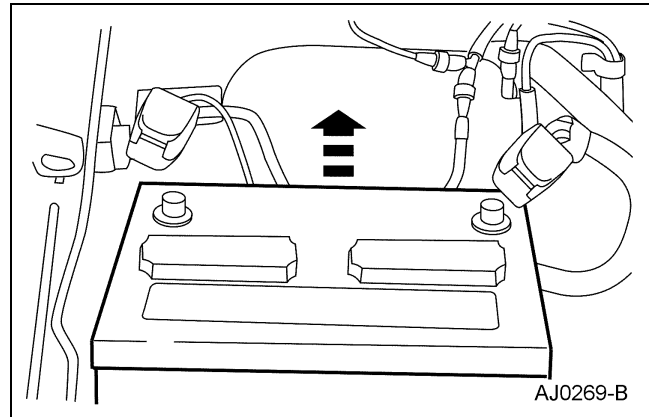
Removal and Installation

1. Disconnect the battery cables. For additional information, refer to Battery Disconnect or Battery Disconnect — Dual in this section.
2. Remove the bolt and the battery hold down clamp.



3. **⚠ WARNING:** When lifting a battery, excessive pressure on the end walls could cause acid to spew through the vent caps, resulting in personal injury. Lift with a battery carrier or with hands on opposite corners. Failure to follow these instructions may result in personal injury.

Remove the battery.



4. **⚠ CAUTION:** Be sure the battery cover is reinstalled to avoid premature battery failure.
If equipped, remove the battery cover.
5. To install, reverse the removal procedure.