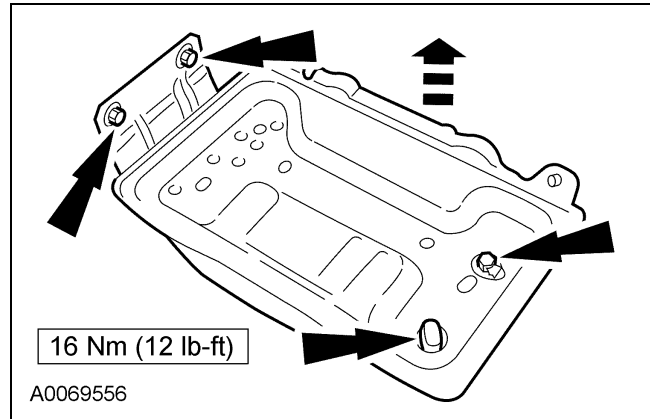


REMOVAL AND INSTALLATION

Battery Tray

Removal and Installation

1. Remove the battery. For additional information, refer to Battery in this section.
2. Remove the screws and remove the battery tray.
 - If equipped, release the wiring harness locator(s) from the battery tray.



3. To install, reverse the removal procedure.