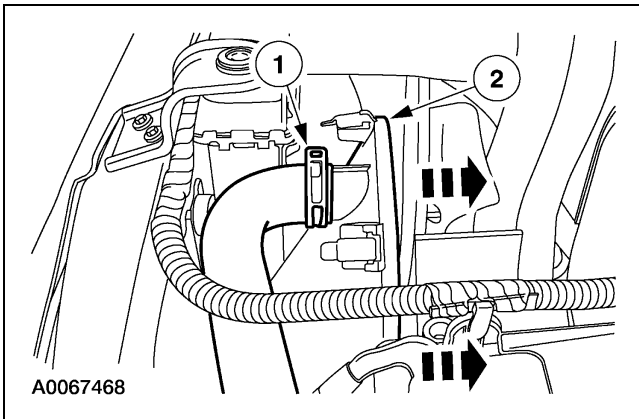


REMOVAL AND INSTALLATION

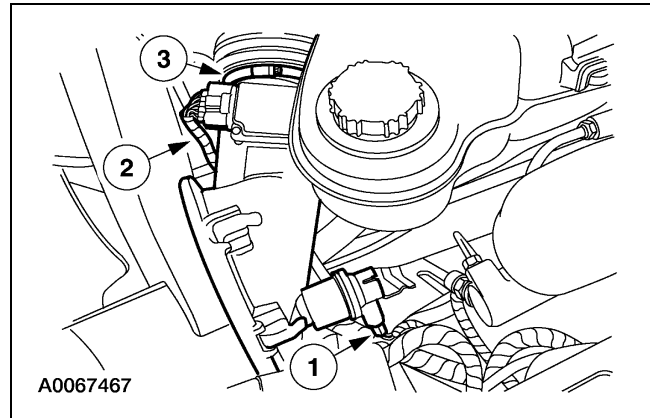
Air Cleaner — 6.0L Diesel

Removal and Installation

1. Remove the air cleaner element. For additional information, refer to Air Cleaner Element — 6.0L Diesel in this section.
2. Remove the front cover.
 - 1 Disconnect the auxiliary air intake.
 - 2 Remove the front cover assembly.



3. Remove the rear cover.
 - 1 Disconnect the filter minder assembly.
 - 2 Disconnect the mass airflow sensor electrical connector.
 - 3 Loosen the clamp and remove the rear air cleaner housing.



4. To install, reverse the removal procedure.