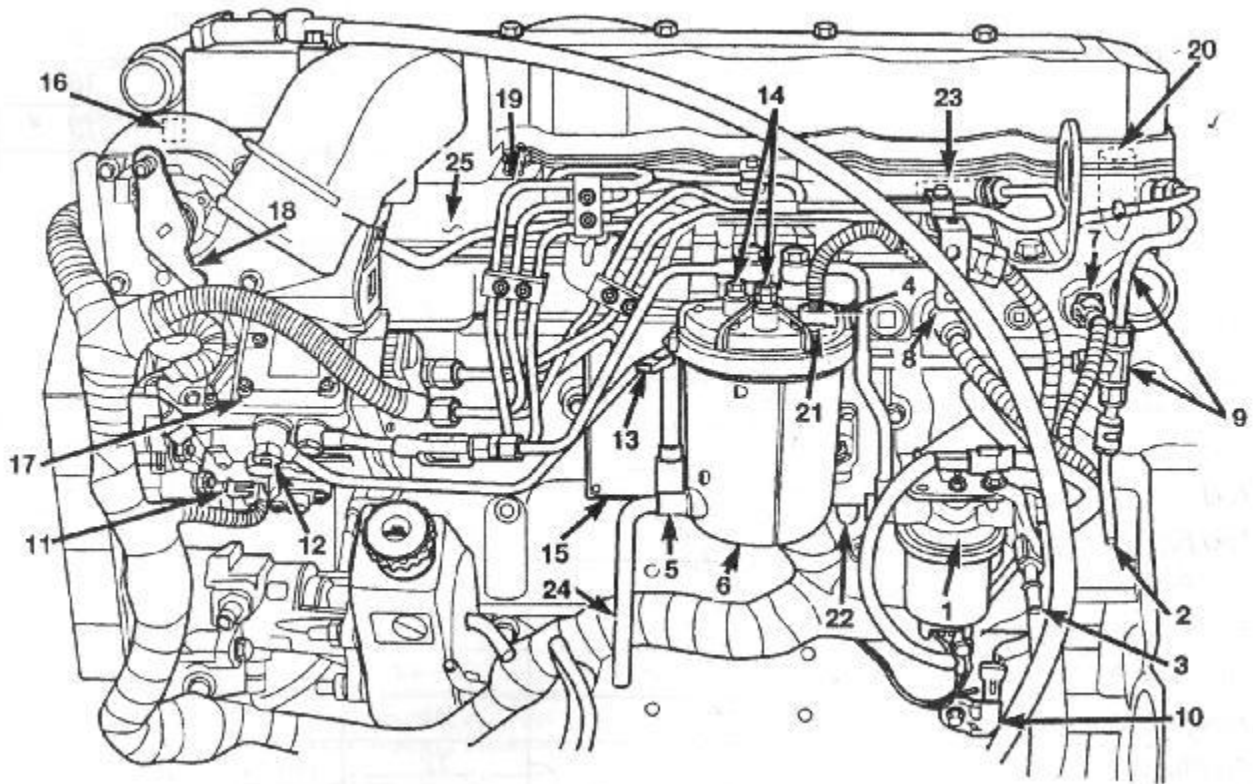


Thanks to *Geno's Garage*



Fuel System Components - 24-valve Cummins Turbo Diesel engine.

1. Fuel Transfer (Lift) Pump
2. Fuel Return Line (to Fuel Tank)
3. Fuel Supply Line (Low Pressure, to Engine)
4. Fuel Heater
5. Water-in-Fuel (WIF) Sensor
6. Fuel Filter/Water Separator
7. IA T Sensor
8. Map (Boost) Sensor
9. Fuel Drain Manifold
10. CKP Sensor
11. CMP Sensor
12. Overflow Valve
13. Drain Valve
14. Fuel Pressure Test Potts
15. ECM
16. ECT Sensor
17. Fuel Injection Pump
18. Throttle Lever Bell Crank and Apps
- 19, High-Pressure Fuel Lines

Thanks to *Geno's Garage*

- 20. Fuel Injectors
- 21. Fuel Heater Temperature Sensor (Thermostat)
- 22. Oil Pressure Sensor
- 23. Fuel Injector Connector
- 24. Drain Tube
- 25. Intake Manifold Air Heater/Elements